



The Audi A4, A4 allroad and S4 range

Pricing and Specification Guide

Valid from February 2010

Personalising your Audi A4

This guide has been designed to help you tailor and price your chosen Audi A4 model quickly and logically. At the back, you will also find information on CO2 emissions-based taxation and the other services offered by Audi, including Finance and Insurance. Alternatively, you can go to audi.co.uk and configure your Audi A4 online.

The Audi A4

Efficiency	8
Engines	10
Transmissions	11
quattro®	12

Model details and prices

Standard model equipment	14
SE model equipment	16
S line model equipment	17
S line Special Edition model equipment	18
A4 allroad model equipment	18
S4 model equipment	19
Model prices	20

Audi exclusive

Colour and upholstery

Paint	28
Upholstery	30
Colour and trim guide	38
Inlays	44

Options

Wheels, tyres and suspension	46
Packages	48
Audio and communication	50
Seats	52
Safety and security	53
Warranty	53
Interior equipment	54
Exterior equipment	55
Steering wheels	56
Merchandise	58
Accessories	59

Technical details

Technical data	60
Dimensions	68
Additional information	74
Pricing information	76





Vorsprung durch Technik

Three words that express the very essence of Audi. Vorsprung durch Technik isn't a slogan. It's our way of seeing the world. It is the driving force behind our history of innovation that continues into the 21st century. Indeed, many technologies that Audi pioneered remain in our cars today. Some are milestones in the history of the motorcar.

From our beginnings in 1899, to the Auto Union team's Grand Prix successes in the 1930s and our more recent wins at Le Mans, we have always been at the forefront of the motor industry.

Vorsprung durch Technik makes us who we are. To see more of its influence, just read on.

With extra-sensory technology, the Audi A4 sees things before you do

When you're driving, thinking ahead is vital. It's why we've developed a number of optional technologies for the Audi A4 which monitor conditions on the road, alerting you to potential problems before they happen. Just as forward-thinking is the range of advanced engines available - including the 2.0 TDIe, which emits just 120g/km of CO₂ and can achieve over 60mpg.





Efficiency

At Audi, doing less is something we're trying to do more of. We're working to use less fuel, release less CO₂ and waste less energy. It's why we've incorporated a number of more efficient technologies into the Audi A4.

Recuperation

When a vehicle brakes, the discs convert the kinetic energy into thermal energy, which is wasted as it cannot be used. With a recuperation system, like the one in the Audi A4, the kinetic energy is converted into useful electrical energy. The way it works is simple. While the car is coasting or braking, the alternator voltage is raised above the level of the basic electrical system, which enables the alternator to generate electrical energy and store it temporarily in the battery. When the vehicle accelerates, this energy is used to relieve the load on the alternator, resulting in a fuel saving of up to 3%.

Gear-change indicator

Small changes to your driving style can have a big impact on your fuel economy. The gear-change indicator in the A4 is there to indicate the optimum gear to use for any given speed, encouraging early upshifts to ensure you don't burn more fuel than is necessary.





Efficiency programme

The Driver's Information System in the Audi A4 is available with a special efficiency programme, which offers up-to-the-minute advice on ways you can improve fuel economy as you drive. It also shows you which items in your car are using energy, and how much they are using, so you can make an informed choice about which ones to switch off.

Aerodynamics

A car's shape can have a big impact on its efficiency. It's why we've worked to make the Audi A4 as aerodynamic as possible.

Engines

Petrol

FSI® direct-injection technology is a unique Audi innovation that was originally developed for the Le Mans 24-hour endurance race to deliver more power and torque, as well as enhanced fuel efficiency. Precisely the right amount of fuel and air are injected into the combustion chambers, enabling the engine to 'breathe' more easily. It results in reduced heat loss and increased output, with around a 15% reduction in fuel consumption and significantly lower exhaust emissions. We've also developed TFSI®, with either turbocharging or supercharging, which combines FSI® technology with forced induction – giving cars an extra injection of power.

Diesel

We introduced TDI® to the roads in 1989, marking a departure from the noisy, fuel-thirsty diesel engines of the past. And since then, we've continuously refined it, recently developing common-rail technology. Under this system, a series of piezo injectors use electrical charge to precisely control the amount of fuel injected into the engine. As well as reducing noise, this allows combustion to happen at a lower temperature, with less oxygen, which lowers emissions.





Transmissions

multitronic®

Translating a driver's preferences and intentions into road performance, the multitronic® transmission system entertains no compromises – whether in terms of dynamism, convenience or economy. multitronic® automatic transmission is available on models without quattro® permanent all-wheel-drive. A continuously variable transmission, multitronic® can transmit up to 310 Nm of torque and permits an exceptionally wide range of gear ratios. The result is smooth, powerful acceleration and a high level of driving comfort. And thanks to its lightweight design and a number of advanced electronic control systems that monitor gradient, road conditions and the way the driver is using the accelerator pedal, multitronic® also plays an instrumental role in reducing fuel consumption.

tiptronic

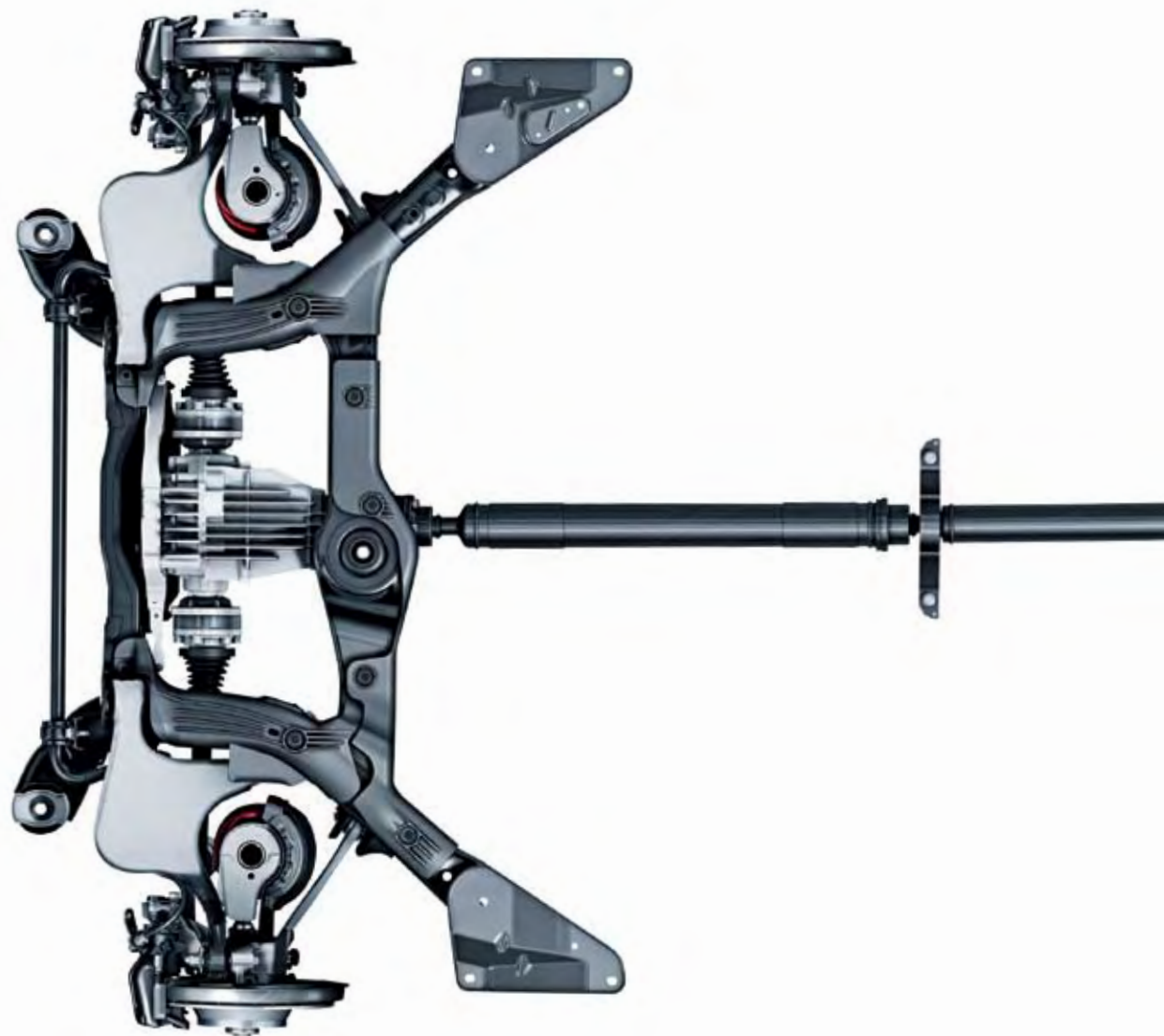
The 6-speed tiptronic transmission system is a form of automatic transmission available on Audi models with quattro® permanent all-wheel-drive. The technology converts high-torque engine power into both sporty performance and operating convenience, with crisp, fast gear changes, reduced weight and an optimised gearshift strategy. More spontaneous gear changes are a particular benefit, especially when down-shifting. Both in the 'D' (Drive) and 'S' (Sport) programme, the advanced electronics used in tiptronic respond efficiently to every driver input, helping to prevent unwanted upshifts when cornering.

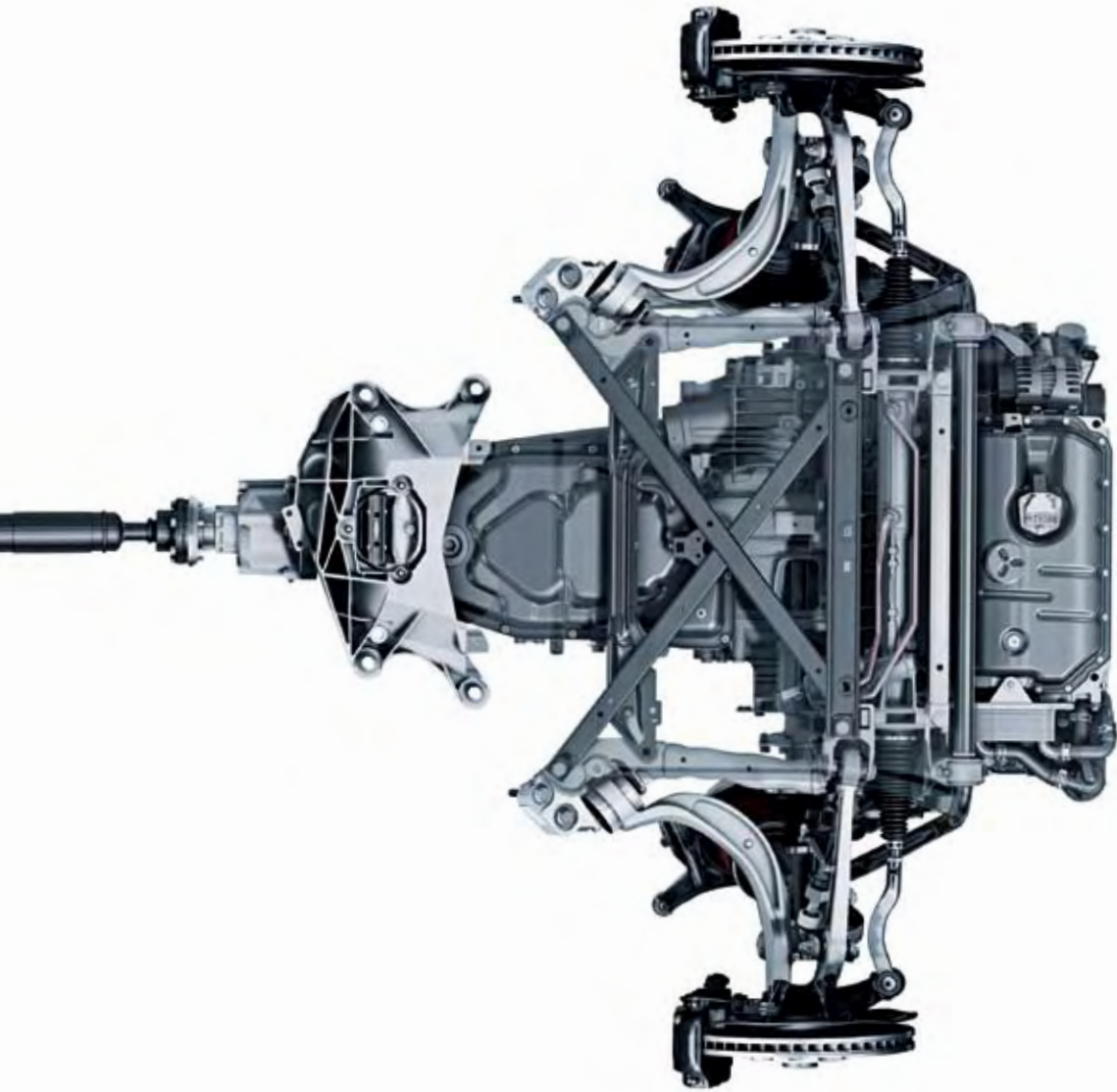
S tronic®

Driving is all about thinking ahead, which is just what the S tronic® dual-clutch transmission does. It works almost as two separate systems, one engaging the odd-numbered and the other the even-numbered gears. So when you're accelerating in second, it has third gear waiting for you. And once you make the switch, already thinking about fourth. With two clutches working together, you can change gears almost instantly while experiencing smooth, uninterrupted power.

quattro®

It's the technology that has given Audi the edge on the racetrack ever since it was first introduced 30 years ago – a technology that delivers ultimate control whilst enhancing the sporty characteristics which make the Audi A4 so thrilling to drive. It's called quattro® permanent all-wheel-drive. The principle is simple: in the same way that four brakes ensure better deceleration, four permanently-driven wheels deliver better acceleration and road-holding, pushing or pulling the car as needed, for a driving experience that's both dynamic and safe.





In the Audi A4 asymmetric dynamic torque distribution continuously distributes drive power between the front and rear axles depending on weather conditions, road surface and gradient, which increases flexibility for an enhanced, sportier drive.

Standard model equipment

All A4 models have the following items of Standard equipment

Engine

Automatic Start-Stop function for greater fuel and CO₂ efficiency. Comprising;

- Recuperation for optimal energy utilisation
- Energy saving tips feature in Driver's Information System; including gearshift indicator

(Only available on the 2.0 TDI®/2.0 TFSI® manual engines)

Wheels, tyres and suspension

16" x 7.5J '7-arm' design alloy wheels with 225/55 R16 tyres and locking wheel bolts (not available on 2.0 TDIe models)

16" x 7J '6-arm' design alloy wheels with 205/60 R16 low rolling-resistance tyres and locking wheel bolts (only available on 2.0 TDIe models)

Space-saver spare wheel (not available on 2.0 TDIe models)

2.0 TDIe models feature suspension lowered by 20mm

Tyre mobility system (only available on 2.0 TDIe models)

Seats

Cosinus cloth seats with manual height adjustment

Split-folding rear seats

Safety and security

ESP (including limited-slip differential on front-wheel-drive models)

First aid kit

Front and rear fog lights

Front and rear ISOFIX seats with front passenger airbag deactivation switch

Front side airbags

Headlight range adjustment

Thatcham category 1 alarm and immobiliser

Toolkit and car jack

Warning triangle

Interior equipment

1-zone climate control

12V power socket in boot (not available on 2.0 TDIe models)

4-spoke leather steering wheel

Door sill trims in Aluminium optic

Driver's Information System (DIS)

Electric front and rear windows

Electromechanical parking brake

Front and rear floor mats

Intelligent key

Micrometallic inlays

Rear armrest

Steering column adjustment for rake and reach

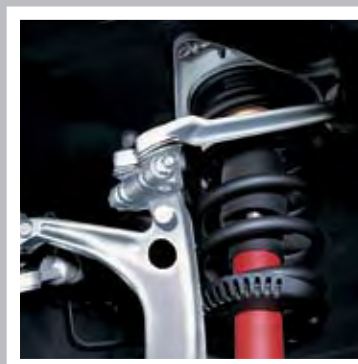
Servotronic speed-related power-assisted steering



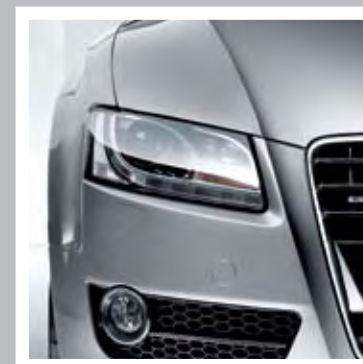
16" x 7.5J '7-arm' design alloy wheels



Exterior mirrors – electrically operated and heated



2.0 TDIe models feature suspension lowered by 20mm



Halogen daytime-running lights

Exterior equipment

Auto-opening boot lid (Saloon models only)

Exterior mirrors – electrically operated and heated

Front grille – Black gloss on 3.0 TDI® and 3.2 FSI®, Stone grey on all others

Halogen daytime-running lights

Roof rails in bright finish (Avant models only)

Exhaust pipes – 4-cylinder models have two exhaust pipes on the left hand side. 6-cylinder models and the 2.0 TFSI® Avant model have one exhaust pipe on each side

Audio and communication

Audi Chorus audio system – single CD player with 6.5" monochrome display

6 loudspeakers (80 Watts)



SE model equipment

In addition to Standard model equipment

Basic RRP
£851.06

Total RRP inc VAT
£1,000.00

*Valid for new vehicle orders placed up to and including 30 June 2010 and delivered on or after 1 March 2010. Offers are subject to availability.

Wheels, tyres and suspension

17" x 7.5J '7-arm' design alloy wheels with 225/50 R17 tyres and locking wheel bolts. 2.0 TDiE models feature low rolling resistance tyres

Audio and communication

Audi Concert radio. Single CD with MP3 compatibility, colour centre console screen, SD memory card reader and AUX-IN socket in centre console

Audi sound system speaker package, 10 speakers including subwoofer (180 Watts)

Interior equipment

4-spoke leather multi-function steering wheel

Auto-dimming rear-view mirror

Aluminium Hologram inlays

Colour Driver's Information System (DIS)

Deluxe 3-zone climate control with separate air distribution and digital display for driver and front passenger. System includes air-conditioning controls in the rear centre console for rear passenger compartment

Front centre armrest including 12V power socket

Interior chrome package

Safety and security

Automatic headlight operation

Automatic windscreen wipers

Exterior equipment

Exterior aluminium package

Additional specifications*

Bluetooth interface

Cruise control

Rear acoustic parking system



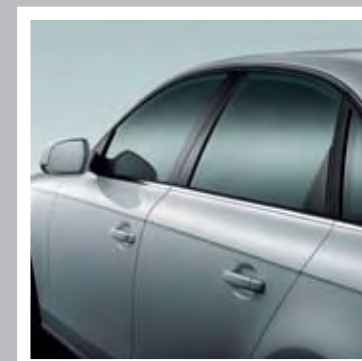
Colour Driver's Information System (DIS)



17" x 7.5J '7-arm' design alloy wheels



Deluxe 3-zone climate control



Exterior aluminium package

S line model equipment

In addition to SE model equipment

Basic RRP
£2,127.66

Total RRP inc VAT
£2,500.00

Wheels, tyres and suspension

18" x 8J '5-spoke' S line design alloy wheels with 245/40 R18 tyres

Sports suspension 20mm lower than Standard. (S line suspension 30mm lower than Standard. Available in lieu of Sports suspension at no charge)

Interior equipment

3-spoke S line multi-function steering wheel (paddle shift for automatic models)

Black headlining

Matt-brushed aluminium inlays

Perforated leather gear knob

S line embossed Sports seats in cloth/leather combination

S line sill plates

Exterior equipment

Bumper 'blade' in Platinum optic

Chrome fog light surround

Chrome rolled exhaust

S line exterior styling package including:

- S line side skirts
- S line front bumper
- S line rear diffuser
- S line badges on wings

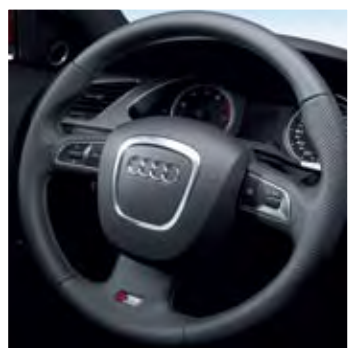
Rear LED lights

Roof spoiler (Avant models only)

Xenon headlights with LED daytime-running lights

Additional upholstery information

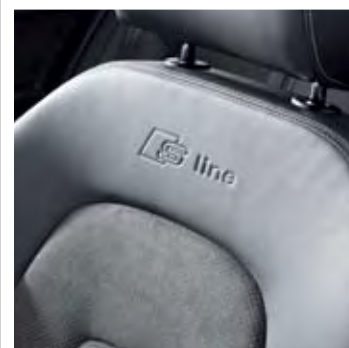
Option of black or silver stitching to upholstery, steering wheel, gearshift gaiters and floor mats



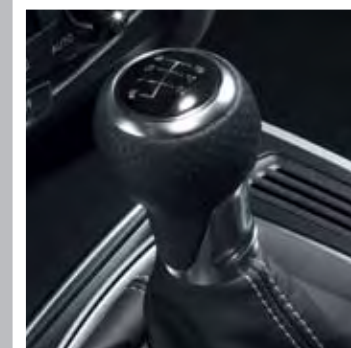
3-spoke S line steering wheel (paddle shift for automatic models)



18" x 8J '5-spoke' S line design alloy wheels



S line embossed Sports seats



Perforated leather gear knob

S line Special Edition model equipment

In addition to S line model equipment

Basic RRP
£893.62

Total RRP inc VAT
£1,050.00

Valid for new vehicle orders placed up to and including 30 June 2010 and delivered on or after 1 March 2010. Offers are subject to availability.



Bang & Olufsen sound system

Wheels, tyres and suspension
19" x 8.5J '7-arm double spoke' design alloy wheels with 255/35 R19 tyres

Audio and communication
Bang & Olufsen sound system
DAB radio



19" x 8.5J '7-arm double-spoke' design alloy wheels

A4 allroad model equipment

In addition to A4 Avant quattro SE model equipment

Basic RRP
£838.30

Total RRP inc VAT
£985.00

Wheels, tyres and suspension
18" x 8J '10-spoke' design alloy wheels with 245/45 R18 tyres
37mm suspension lift over standard A4
Collapsible spare wheel
Off-road detection system (ORD)

Seats
Tundra cloth

Interior equipment
Load and rail system
Storage package
Full-length load mat
Micrometallic inlays

Exterior equipment
Off-road aluminium package
Headlight washers



18" x 8J '10-spoke' design alloy wheels



Load and rail system



S4 quattro equipment – in addition to SE model equipment

One look at its muscular body styling, 18" alloy wheels and subtle S4 badging, and it'll come as no surprise that the Audi S4 features a powerful 3.0-litre V6 supercharged engine, capable of taking you from 0 to 62mph in 5.1 seconds. And from the comfort and stability of a stylish Alcantara/leather Sports seat, you can sit back and enjoy every single unit of this engine's 333PS capability – not to mention the safety and security of quattro® permanent all-wheel-drive.

But sleek styling and powerful performance in the S4 don't come at the expense of functional, driver-oriented specifications. Simple yet thoughtful touches, such as the matt-brushed aluminium inlays, S instrument dials and electric front Sports seats have been included to ensure that your life runs as smoothly as your Audi does.

Wheels, tyres and suspension

18" x 8.5J '5-double-spoke S' design alloy wheels with 245/40 R18 tyres

Seats

Sports seats with electric adjustment and lumbar support

Leather/Alcantara upholstery

Safety and security

'S' model enhanced braking system

Interior equipment

3-spoke 'S' Sports multi-function leather steering wheel (with aluminium-look paddle shift on S tronic® models)

Aluminium scuff plates

Interior lighting package

Inlays in matt-brushed aluminium

'S' instrument cluster

Exterior equipment

4-oval, twin tailpipes, in chrome finish

Aluminium-effect door mirror housings

Integrated boot-lid spoiler (Saloon models only)

LED tail-lights

Painted brake callipers with S4 logo (on front brakes only)

Platinum grey matt grille with vertical bars and chrome inserts

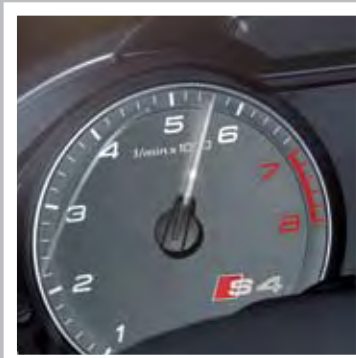
Roof spoiler (Avant models only)

'S' front and rear bumpers and side skirt

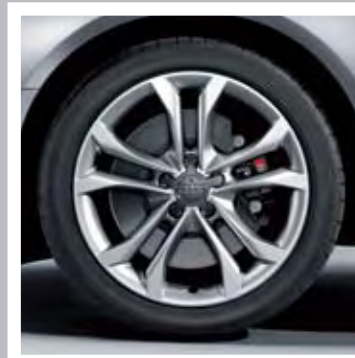
Xenon headlights with LED daytime-running lights



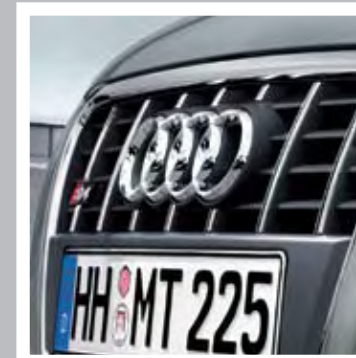
Optional S4 Super Sports seats



'S' instrument dial



18" x 8.5J '5-double-spoke S' design alloy wheels with 245/40 R18 tyres



Platinum grey matt grille with vertical bars and chrome inserts

A4 Saloon Standard

Engines	Power	Transmissions	Basic RRP	Total RRP inc VAT	Recommended OTR
1.8 TFSI	120PS	6-speed manual	£17,468.09	£20,525.00	£21,310.00
2.0 TDI	120PS	6-speed manual	£19,451.06	£22,855.00	£23,610.00
2.0 TDIe	136PS	6-speed manual	£20,046.81	£23,555.00	£24,225.00
2.0 TDI	143PS	6-speed manual	£20,046.81	£23,555.00	£24,310.00

A4 Avant Standard

Engines	Power	Transmissions	Basic RRP	Total RRP inc VAT	Recommended OTR
1.8 TFSI	120PS	6-speed manual	£18,468.09	£21,700.00	£22,510.00
2.0 TDI	120PS	6-speed manual	£20,451.06	£24,030.00	£24,785.00
2.0 TDI	143PS	6-speed manual	£21,046.81	£24,730.00	£25,485.00

Please note: The maximum power output figures are quoted in PS (or Pferdestärke, which is the metric equivalent of brake horsepower). To convert to brake horsepower, divide the PS figure by 1.0139.

Recommended On-The-Road (OTR) retail prices include: delivery charge, half a tank of fuel, number plates at £580.00 (inc. VAT), Road Fund Licence (which may vary depending on model/transmission see page 74 for details) and first registration fee at £55.00. Vehicle Excise Duty correct at time of going to print, but this may alter to reflect any change in the applicable VED rate.

RRP – Recommended Retail Price. VAT is calculated at 17.5% but this may alter to reflect any change in the applicable VAT rate.

A4 Saloon SE

Engines	Power	Transmissions	Basic RRP	Total RRP inc VAT	Recommended OTR
1.8 TFSI	120PS	6-speed manual	£18,319.15	£21,525.00	£22,310.00
1.8 TFSI	160PS	6-speed manual	£19,706.38	£23,155.00	£23,940.00
2.0 TFSI	211PS	6-speed manual	£21,748.94	£25,555.00	£26,315.00
2.0 TFSI quattro	211PS	6-speed manual	£22,940.43	£26,955.00	£27,765.00
3.2 FSI	265PS	multitronic	£25,748.94	£30,255.00	£31,105.00
3.2 FSI quattro	265PS	6-speed manual	£25,706.38	£30,205.00	£31,055.00
2.0 TDI	120PS	6-speed manual	£20,302.13	£23,855.00	£24,610.00
2.0 TDIe	136PS	6-speed manual	£20,897.87	£24,555.00	£25,225.00
2.0 TDI	143PS	6-speed manual	£20,897.87	£24,555.00	£25,310.00
2.0 TDI	170PS	6-speed manual	£21,748.94	£25,555.00	£26,310.00
2.0 TDI quattro	170PS	6-speed manual	£22,940.43	£26,955.00	£27,715.00
2.7 TDI	190PS	multitronic	£24,174.47	£28,405.00	£29,215.00
3.0 TDI quattro	240PS	6-speed manual	£26,259.57	£30,855.00	£31,665.00

A4 Avant SE

Engines	Power	Transmissions	Basic RRP	Total RRP inc VAT	Recommended OTR
1.8 TFSI	120PS	6-speed manual	£19,319.15	£22,700.00	£23,510.00
1.8 TFSI	160PS	6-speed manual	£20,706.38	£24,330.00	£25,140.00
2.0 TFSI	211PS	6-speed manual	£22,748.94	£26,730.00	£27,515.00
2.0 TFSI quattro	211PS	6-speed manual	£23,940.43	£28,130.00	£28,940.00
3.2 FSI	265PS	multitronic	£26,748.94	£31,430.00	£32,280.00
3.2 FSI quattro	265PS	6-speed manual	£26,706.38	£31,380.00	£32,230.00
2.0 TDI	120PS	6-speed manual	£21,302.13	£25,030.00	£25,785.00
2.0 TDI	143PS	6-speed manual	£21,897.87	£25,730.00	£26,485.00
2.0 TDI	170PS	6-speed manual	£22,748.94	£26,730.00	£27,490.00
2.0 TDI quattro	170PS	6-speed manual	£23,940.43	£28,130.00	£28,915.00
2.7 TDI	190PS	multitronic	£25,174.47	£29,580.00	£30,390.00
3.0 TDI quattro	240PS	6-speed manual	£27,259.57	£32,030.00	£32,840.00

A4 Saloon S line

Engines	Power	Transmissions	Basic RRP	Total RRP inc VAT	Recommended OTR
1.8 TFSI	120PS	6-speed manual	£20,446.81	£24,025.00	£24,810.00
1.8 TFSI	160PS	6-speed manual	£21,834.04	£25,655.00	£26,440.00
2.0 TFSI	211PS	6-speed manual	£23,876.60	£28,055.00	£28,815.00
2.0 TFSI quattro	211PS	6-speed manual	£25,068.09	£29,455.00	£30,265.00
3.2 FSI	265PS	multitronic	£27,876.60	£32,755.00	£33,605.00
3.2 FSI quattro	265PS	6-speed manual	£27,834.04	£32,705.00	£33,555.00
2.0 TDI	120PS	6-speed manual	£22,429.79	£26,355.00	£27,110.00
2.0 TDI	143PS	6-speed manual	£23,025.53	£27,055.00	£27,810.00
2.0 TDI	170PS	6-speed manual	£23,876.60	£28,055.00	£28,810.00
2.0 TDI quattro	170PS	6-speed manual	£25,068.09	£29,455.00	£30,215.00
2.7 TDI	190PS	multitronic	£26,302.13	£30,905.00	£31,715.00
3.0 TDI quattro	240PS	6-speed manual	£28,387.23	£33,355.00	£34,165.00

A4 Avant S line

Engines	Power	Transmissions	Basic RRP	Total RRP inc VAT	Recommended OTR
1.8 TFSI	120PS	6-speed manual	£21,446.61	£25,200.00	£26,010.00
1.8 TFSI	160PS	6-speed manual	£22,834.04	£26,830.00	£27,640.00
2.0 TFSI	211PS	6-speed manual	£24,876.60	£29,230.00	£30,015.00
2.0 TFSI quattro	211PS	6-speed manual	£26,068.49	£30,630.00	£31,440.00
3.2 FSI	265PS	multitronic	£28,876.60	£33,930.00	£34,780.00
3.2 FSI quattro	265PS	6-speed manual	£28,834.04	£33,880.00	£34,730.00
2.0 TDI	120PS	6-speed manual	£23,429.79	£27,530.00	£28,285.00
2.0 TDI	143PS	6-speed manual	£24,025.53	£28,230.00	£28,985.00
2.0 TDI	170PS	6-speed manual	£24,876.60	£29,230.00	£29,990.00
2.0 TDI quattro	170PS	6-speed manual	£26,068.09	£30,630.00	£31,415.00
2.7 TDI	190PS	multitronic	£27,302.13	£32,080.00	£32,890.00
3.0 TDI quattro	240PS	6-speed manual	£29,387.23	£34,530.00	£35,340.00

A4 Saloon S line Special Edition

Engines	Power	Transmissions	Basic RRP	Total RRP inc VAT	Recommended OTR
1.8 TFSI	120PS	6-speed manual	£21,340.43	£25,075.00	£25,860.00
1.8 TFSI	160PS	6-speed manual	£22,727.66	£26,705.00	£27,490.00
2.0 TFSI	211PS	6-speed manual	£24,770.21	£29,105.00	£29,865.00
2.0 TFSI quattro	211PS	6-speed manual	£25,961.70	£30,505.00	£31,315.00
3.2 FSI	265PS	multitronic	£28,770.21	£33,805.00	£34,655.00
3.2 FSI quattro	265PS	6-speed manual	£28,727.66	£33,755.00	£34,605.00
2.0 TDI	120PS	6-speed manual	£23,323.40	£27,405.00	£28,160.00
2.0 TDI	143PS	6-speed manual	£23,919.15	£28,105.00	£28,860.00
2.0 TDI	170PS	6-speed manual	£24,770.21	£29,105.00	£29,860.00
2.0 TDI quattro	170PS	6-speed manual	£25,961.70	£30,505.00	£31,265.00
2.7 TDI	190PS	multitronic	£27,195.74	£31,955.00	£32,765.00
3.0 TDI quattro	240PS	6-speed manual	£29,280.85	£34,405.00	£35,215.00

A4 Avant S line Special Edition

Engines	Power	Transmissions	Basic RRP	Total RRP inc VAT	Recommended OTR
1.8 TFSI	120PS	6-speed manual	£22,340.43	£26,250.00	£27,060.00
1.8 TFSI	160PS	6-speed manual	£23,727.66	£27,880.00	£28,690.00
2.0 TFSI	211PS	6-speed manual	£25,770.21	£30,280.00	£31,065.00
2.0 TFSI quattro	211PS	6-speed manual	£26,961.70	£31,680.00	£32,490.00
3.2 FSI	265PS	multitronic	£29,770.21	£34,980.00	£35,830.00
3.2 FSI quattro	265PS	6-speed manual	£29,727.66	£34,930.00	£35,780.00
2.0 TDI	120PS	6-speed manual	£24,323.40	£28,580.00	£29,335.00
2.0 TDI	143PS	6-speed manual	£24,919.15	£29,280.00	£30,035.00
2.0 TDI	170PS	6-speed manual	£25,770.21	£30,280.00	£31,040.00
2.0 TDI quattro	170PS	6-speed manual	£26,961.70	£31,680.00	£32,465.00
2.7 TDI	190PS	multitronic	£28,195.74	£33,130.00	£33,940.00
3.0 TDI quattro	240PS	6-speed manual	£30,280.85	£35,580.00	£36,390.00

Please note: The maximum power output figures are quoted in PS (or Pferdestärke, which is the metric equivalent of brake horsepower). To convert to brake horsepower, divide the PS figure by 1.0139.

Recommended On-The-Road (OTR) retail prices include: delivery charge, half a tank of fuel, number plates at £580.00 (inc. VAT), Road Fund Licence (which may vary depending on model/transmission see page 74 for details) and first registration fee at £55.00. Vehicle Excise Duty correct at time of going to print, but this may alter to reflect any change in the applicable VED rate.

RRP – Recommended Retail Price. VAT is calculated at 17.5% but this may alter to reflect any change in the applicable VAT rate.

A4 allroad

Engines	Power	Transmissions	Basic RRP	Total RRP inc VAT	Recommended OTR
2.0 TFSI quattro	211PS	7-speed S tronic	£26,012.77	£30,565.00	£31,415.00
2.0 TDI quattro	170PS	6-speed manual	£24,778.72	£29,115.00	£29,900.00
3.0 TDI quattro	240PS	7-speed S tronic	£29,331.91	£34,465.00	£35,315.00

S4 quattro Saloon

Engines	Power	Transmissions	Basic RRP	Total RRP inc VAT	Recommended OTR
3.0 TFSI quattro	333PS	6-speed manual	£29,382.98	£34,525.00	£35,375.00
3.0 TFSI quattro	333PS	7-speed S tronic	£30,617.02	£35,975.00	£36,825.00

S4 quattro Avant

Engines	Power	Transmissions	Basic RRP	Total RRP inc VAT	Recommended OTR
3.0 TFSI quattro	333PS	6-speed manual	£30,382.98	£35,700.00	£36,740.00
3.0 TFSI quattro	333PS	7-speed S tronic	£31,617.02	£37,150.00	£38,000.00

Please note: The maximum power output figures are quoted in PS (or Pferdestärke, which is the metric equivalent of brake horsepower). To convert to brake horsepower, divide the PS figure by 1.0139.

Recommended On-The-Road (OTR) retail prices include: delivery charge, half a tank of fuel, number plates at £580.00 (inc. VAT), Road Fund Licence (which may vary depending on model/transmission see page 74 for details) and first registration fee at £55.00. Vehicle Excise Duty correct at time of going to print, but this may alter to reflect any change in the applicable VED rate.

RRP – Recommended Retail Price. VAT is calculated at 17.5% but this may alter to reflect any change in the applicable VAT rate.w

Transmissions

A4 and S4 Saloon and Avant

	Automatic 6-speed tiptronic transmission	Automatic 8-speed multitronic transmission	Automatic 7-speed S tronic transmission
1.8 TFSI 120PS	-	-	-
1.8 TFSI 160PS	-	•	-
2.0 TFSI	-	•	-
2.0 TFSI quattro	-	-	•
3.2 FSI	-	S	-
3.2 FSI quattro	•	-	-
S4 quattro	-	-	•
2.0 TDI 120PS	-	-	-
2.0 TDIe 136PS	-	-	-
2.0 TDI 143PS	-	•	-
2.0 TDI 170PS	-	-	-
2.0 TDI quattro 170PS	-	-	-
2.7 TDI	-	S	-
3.0 TDI quattro	-	-	•
Basic RRP	£1,191.49	£1,234.04	£1,234.04
Total RRP inc VAT	£1,400.00	£1,450.00	£1,450.00

Transmissions

A4 allroad

	Automatic 7-speed S tronic transmission
2.0 TFSI quattro	S
2.0 TDI quattro 170PS	-
3.0 TDI quattro	S
Basic RRP	No charge
Total RRP inc VAT	No charge

- = Not available • = Available S = Standard



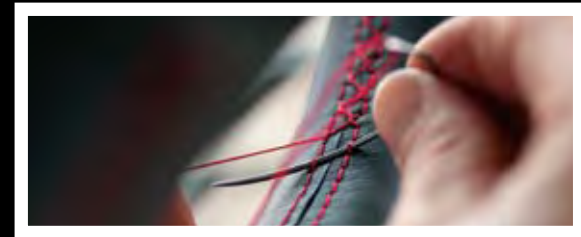
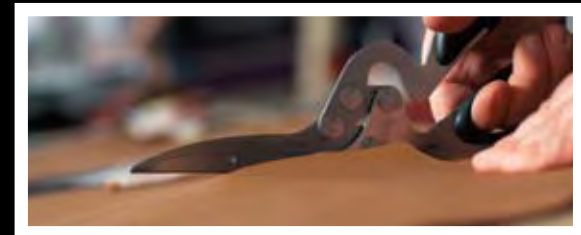
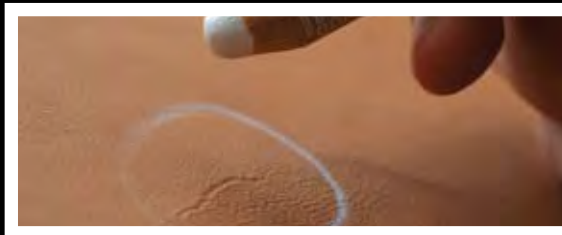
Audi exclusive



Audi exclusive

Every Audi is intrinsically exclusive. It's the breathtaking design, the exceptional engineering, the Vorsprung durch Technik. But for that special touch you can specify your new A4 with options from Audi exclusive. Whether you want a completely unique, custom-mixed paint colour or seats in a combination of complementary shades, Audi exclusive will enable you to drive the car you've always imagined.

Both the exclusive and standard options can be found on the following pages.



Audi exclusive line





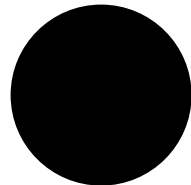
Paint

You can select one of the standard colours shown opposite or, for a different look, choose from a range of optional finishes.

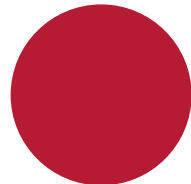
Standard colours



Ibis white – T9

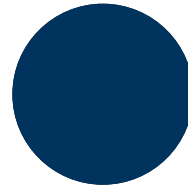


Brilliant black – A2

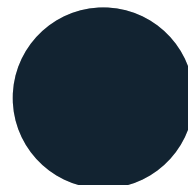


Brilliant red – CB

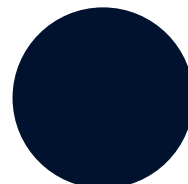
Optional colours



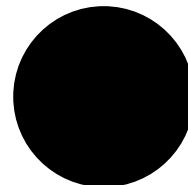
Aruba blue, pearl effect – Q9
(not available on S4 or A4 allroad)



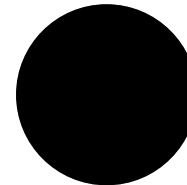
Meteor grey, pearl effect – X5



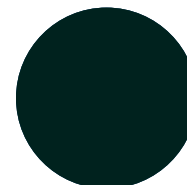
Deep sea blue, pearl effect – 8A



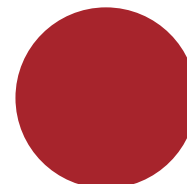
Phantom black, pearl effect – L8



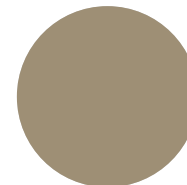
Lava grey, pearl effect – 1R
(not available on S4)



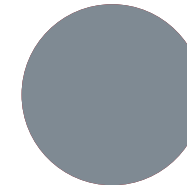
Deep green, pearl effect – 3W
(not available on S4 or A4 allroad)



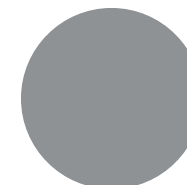
Garnet red, pearl effect – 9C



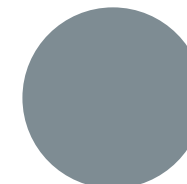
Dakar beige, metallic – 9X
(not available on S4)



Sphere blue, metallic – 9F
(not available on S4)

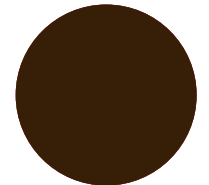


Ice silver, metallic – P5

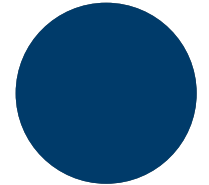


Quartz grey, metallic – Q4
(not available on A4 allroad)

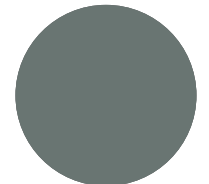
A4 allroad colours



Teak brown, metallic – 4U



Stratos blue, pearl effect – X4



Condor grey, metallic – 5Q

Options are subject to availability and may extend delivery.

All the colour swatches on this page are matched as accurately as possible to the actual paint colours used. However, due to print processes, Audi UK cannot guarantee that colours shown are 100% accurate.

Visit your local Audi Centre for a more accurate colour swatch.

RRP – Recommended Retail Price.

VAT is calculated at 17.5% but this may alter to reflect any change in the applicable VAT rate.

Optional colours

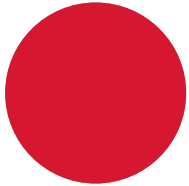
Basic RRP

£468.09

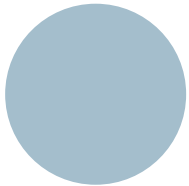
Total RRP inc VAT

£550.00

S line colours

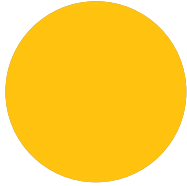


Misano red, pearl effect - N9
(not available on S4 or A4 allroad)

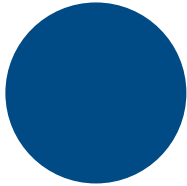


Monza silver, metallic - U7
(not available on S4 or A4 allroad)

S4 quattro colours



Imola yellow - 1T



Sprint blue - 5N

S line colours

Basic RRP
£468.09

Total RRP inc VAT
£550.00

Paint

Audi exclusive

Everyone has a favourite colour. No matter what yours is, Audi exclusive provides a range of unique colours that have been designed to set your car apart. Choose from the swatches here, or specify any other paint colour in the Audi range - whether it's Jet blue from the Audi R8 or Alpine white from the original Audi quattro. The choice is yours.

Customised paint

If you have a particular colour in mind, we'll mix the exact metallic or pearl-effect shade you want.**

*Not available on A4 allroad

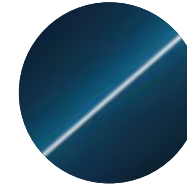
**Custom paint is subject to factory approval, and is available for metallic and pearl-effect water-based paints only. Three-colour process colours and two-tone schemes are not available.

All the colour swatches on this page are matched as accurately as possible to the actual paint colours used. However, due to print processes, Audi UK cannot guarantee that colours shown are 100% accurate.

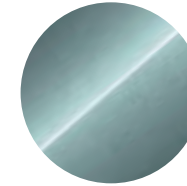
Visit your local Audi Centre for a more accurate colour swatch.

RRP - Recommended Retail Price.

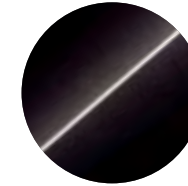
VAT is calculated at 17.5% but this may alter to reflect any change in the applicable VAT rate.



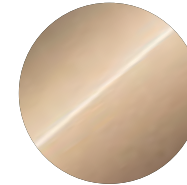
Palace blue, pearl effect



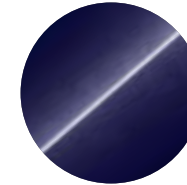
Morning dew, metallic



Saddle brown, pearl effect



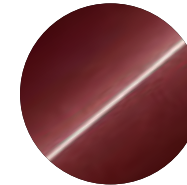
Sand beige, pearl effect



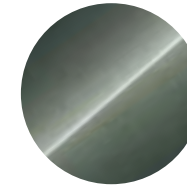
Velvet purple, pearl effect



Any colour in the Audi range



Classic red, pearl effect



Oak green, metallic



Customised paint

Audi exclusive

Basic RRP
£1,446.81

Total RRP inc VAT
£1,700.00

Customised*

Basic RRP
£2,042.55

Total RRP inc VAT
£2,400.00

Upholstery

A4 Standard seats

Choose your favourite upholstery from the swatches shown opposite to give your car's interior the look and feel you want.





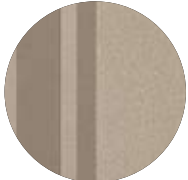

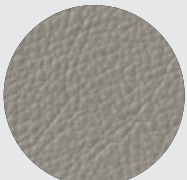
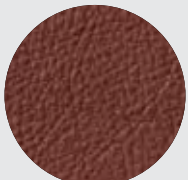
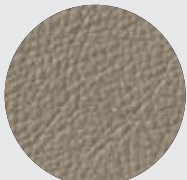

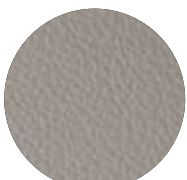
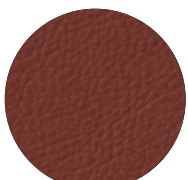
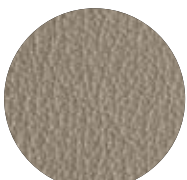
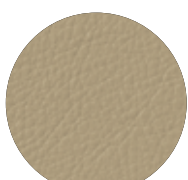
Options are subject to availability and may extend delivery.

- = Not available
• = Available
S = Standard

All leather upholstery choices include seats, head restraints, door inserts and front centre armrest (if fitted) in leather.

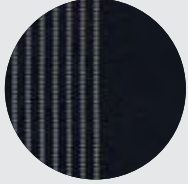
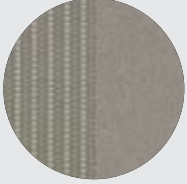

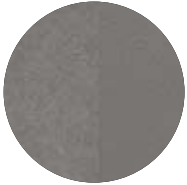

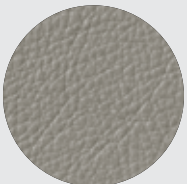

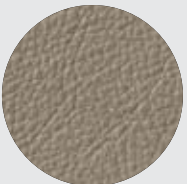

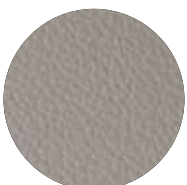
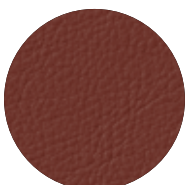
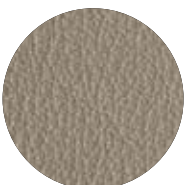
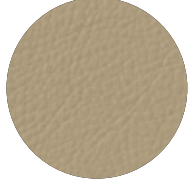
RRP - Recommended Retail Price.

VAT is calculated at 17.5% but this may alter to reflect any change in the applicable VAT rate.

											Standard	SE	S line	S line Special Edition	A4 allroad	S4 quattro	Basic RRP	Total RRP inc VAT	
Cosinus cloth		Black - GD		Light grey - GQ							S	S	-	-	-	-	No charge	No charge	
Arkana cloth		Black - GD		Light grey - GQ		Cardamom beige - GR					•	•	-	-	-	-	£102.13	£120.00	
Milano leather		Black - GD		Light grey - GQ		Cinnamon brown - CN		Cardamom beige - GR			•	•	-	-	-	-	£1,093.62	£1,285.00	
Valcona leather		Black - GD		Light grey - GQ		Cinnamon brown - CN		Cardamom beige - GR			-	•	-	-	-	-	£1,395.74	£1,640.00	
		Luxor beige - GM																	

Upholstery

A4 Sports seats

								Standard	SE	S line	S line Special Edition	A4 allroad	S4 quattro	Basic RRP	Total RRP inc VAT
Atrium cloth		Black - GD		Light grey - GQ				•	•	-	-	-	-	£404.26	£475.00
Leather/Alcantara		Black - GD/ZM/SC		Light grey* - GQ				•	•	-	-	-	S	£1,182.98	£1,390.00
Milano leather		Black - GD/ZM/SC		Light grey* - GQ		Cinnamon brown* - CN		•	•	-	-	-	-	£1,502.13	£1,765.00
								-	-	-	-	-	•	£319.15	£375.00
Valcona leather		Black - GD		Light grey - GQ		Cinnamon brown - CN			•	-	-	-	-		
								-		-	-	-	-	£1,800.00	£2,115.00
		Luxor beige - GM													

Options are subject to availability and may extend delivery.

- = Not available
• = Available
S = Standard

*Not available on S4

All leather upholstery choices include seats, head restraints, door inserts and front centre armrest (if fitted) in leather. Leather/Alcantara choices include head restraints, seat side bolsters and front centre armrest (if fitted) in leather with the seat centres and door inserts in Alcantara.







RRP - Recommended Retail Price.

VAT is calculated at 17.5% but this may alter to reflect any change in the applicable VAT rate.

Upholstery

A4 S line seats

Choose your favourite upholstery from the swatches shown opposite to give your car's interior the look and feel you want.

										Standard	SE	S line	S line Special Edition	A4 allroad	S4 quattro	Basic RRP	Total RRP inc VAT
Leather/cloth										-	-	S	S	-	-	No charge	No charge
	Black - QE	Black with silver stitching - QF															
Leather/Alcantara										-	-	•	•	-	-	£404.26	£475.00
	Black - QE	Black with silver stitching - QF															
Milano leather										-	-	•	•	-	-	£689.36	£810.00
	Black - QE																
Valcona leather										-	-	•	•	-	-	£1,021.28	£1,200.00
	Black - QE																

Options are subject to availability and may extend delivery.

- = Not available
- = Available
- S = Standard

RRP – Recommended Retail Price.

VAT is calculated at 17.5% but this may alter to reflect any change in the applicable VAT rate.

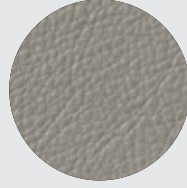
Upholstery

A4 Climate Comfort seats

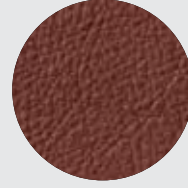
Milano leather



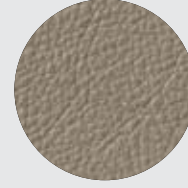
Black - GD



Light grey - GQ



Cinnamon brown - CN



Cardamom beige - GR

Standard	SE	S line	S line Special Edition	A4 allroad	S4 quattro	Basic RRP	Total RRP inc VAT
-	•	-	-	-	-	£3,353.19	£3,940.00



Options are subject to availability and may extend delivery.

- = Not available
- = Available
- S = Standard

All leather upholstery choices include seats, head restraints, door inserts and front centre armrest (if fitted) in leather.

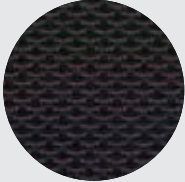
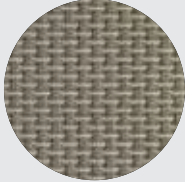

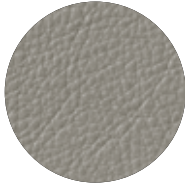
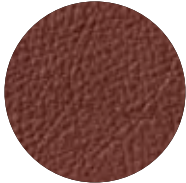
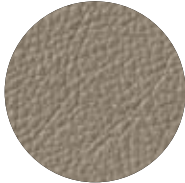

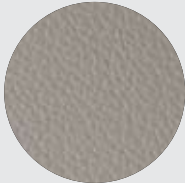
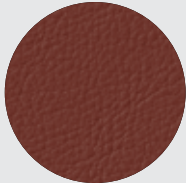
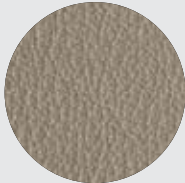
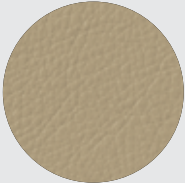
RRP - Recommended Retail Price.

VAT is calculated at 17.5% but this may alter to reflect any change in the applicable VAT rate.

Upholstery

A4 allroad seats

Choose your favourite upholstery from the swatches shown opposite to give your car's interior the look and feel you want.

										Standard	SE	S line	S line Special Edition	A4 allroad	S4 quattro	Basic RRP	Total RRP inc VAT
Tundra cloth										-	-	-	-	S	-	No charge	No charge
	Black - GD	Light grey - CX															
Milano leather										-	-	-	-	•	-	£1,093.62	£1,285.00
	Black - GD	Light grey - CX	Cinnamon brown - CN	Cardamom beige - CT													
Valcona leather										-	-	-	-	•	-	£1,395.74	£1,640.00
	Black - GD	Light grey - CX	Cinnamon brown - CN	Cardamom beige - CT													
																	
	Luxor beige - BY																

Options are subject to availability and may extend delivery.

- = Not available
• = Available
S = Standard

All leather upholstery choices include seats, head restraints, door inserts and front centre armrest (if fitted) in leather.

RRP - Recommended Retail Price.

VAT is calculated at 17.5% but this may alter to reflect any change in the applicable VAT rate.

Upholstery

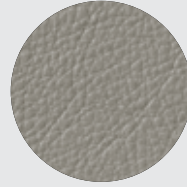
A4 allroad Climate Comfort seats

Choose your favourite upholstery from the swatches shown opposite to give your car's interior the look and feel you want.

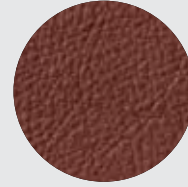
Milano leather



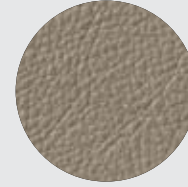
Black - GD



Light grey - CX



Cinnamon brown - CN



Cardamom beige - CT

Standard	SE	S line	S line Special Edition	A4 allroad	S4 quattro	Basic RRP	Total RRP inc VAT
-	-	-	-	●	-	£3,353.19	£3,940.00

S4 quattro Super Sports seats*

*Must be combined with throughload facility.

Options are subject to availability and may extend delivery.

- = Not available
● = Available
S = Standard

All leather upholstery choices include seats, head restraints, door inserts and front centre armrest (if fitted) in leather.

RRP - Recommended Retail Price.

VAT is calculated at 17.5% but this may alter to reflect any change in the applicable VAT rate.

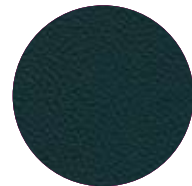
Silk Nappa leather
Leather/Alcantara



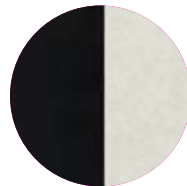
Black - ZM/SC



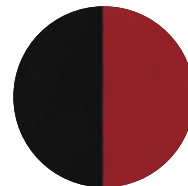
Spectral silver - SP/SQ



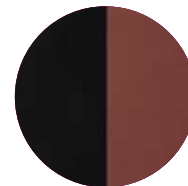
Black, with Silver stitching - ZM/SC



Pearl silver/Black - ZW/SD



Magma red/Black - FA/SJ



Mustang brown/Black - SH/SK

Standard	SE	S line	S line Special Edition	A4 allroad	S4 quattro	Basic RRP	Total RRP inc VAT
-	-	-	-	-	●	£502.13	£590.00
-	-	-	-	-	●	£842.55	£990.00



Colour and trim guide

Interior trim colours

Standard seats

To help you choose the right interior for your new Audi A4, please use this guide, showing the carpet, dashboard and headlining colours that have been matched to your chosen upholstery.

Sports seats

S line Sports seats

Options are subject to availability and may extend delivery.

-- = Not available
 • = Available
 S = Standard

A4/S4 Saloon and Avant colour and trim guide

Order Code	Upholstery	Carpet	Dashboard (upper/lower)	Headlining	Cosinus cloth (N2M)	Arkana cloth (NOL)	Milano leather (N5W)	Valcona leather (N5D)
GD	Black	Black	Black/Black	Star silver	•	•	•	•
GM	Luxor beige	Black	Black/Black	Black	-	-	-	•
CN	Cinnamon brown	Black	Black/Black	Star silver	-	-	•	•
GQ	Light grey	Quartz grey	Graphite grey/Graphite grey	Star silver	•	•	•	•
GR	Cardamom beige	Coriander beige	Tan beige/Tan beige	Linen beige	-	•	•	•

Order Code	Upholstery	Carpet	Dashboard (upper/lower)	Headlining	Atrium cloth (N2E)	Leather/Alcantara (N7U)	Milano leather (N5W)	Valcona leather (N5D)
GD	Black	Black	Black/Black	Star silver	•	•	•	•
GM	Luxor beige	Black	Black/Black	Black	-	-	-	•
CN	Cinnamon brown	Black	Black/Black	Star silver	-	-	•	•
GQ	Light grey	Quartz grey	Graphite grey/Graphite grey	Star silver	•	•	•	•
GR	Cardamom beige	Coriander beige	Tan beige/Tan beige	Linen beige	-	-	•	•

Order Code	Upholstery	Carpet	Dashboard (upper/lower)	Headlining	Cloth/leather (N7V)	Leather/Alcantara (N7K)	Milano leather (N1Y)	Valcona leather (N1V)
QE (Black stitching)	Black	Black	Black/Black	Black	•	•	•	•
QF (Silver stitching)	Black	Black	Black/Black	Black	•	•	-	-

Colour and trim guide

Interior trim colours

S4 Sports seats

S4 Super Sports seats – with S embossing

Comfort seats

Options are subject to availability and may extend delivery.

- = Not available
• = Available
S = Standard

A4/S4 Saloon and Avant colour and trim guide

Order Code	Upholstery	Carpet	Dashboard (upper/lower)	Headlining	Leather/ Alcantara (N7K)	Milano leather (N1Y)
ZM/SC	Black	Black	Black/Black	Black or Silver	•	•

Order Code	Upholstery	Carpet	Dashboard (upper/lower)	Headlining	Leather/ Alcantara (N7N)	Silk Nappa leather (N1U)
ZM/SC	Black	Black	Black/Black	Black or Silver	•	•
SP/SQ	Spectral silver/Black	Black	Black/Black	Black or Silver	•	-
ZW/SD	Pearl silver/Black	Black	Black/Black	Black or Silver	-	•
FA/SJ	Magma red/Black	Black	Black/Black	Black or Silver	-	•
SH/SK	Mustang brown/Black	Quartz grey	Graphite grey/Graphite grey	Black or Silver	-	•

Order Code	Upholstery	Carpet	Dashboard (upper/lower)	Headlining	Milano leather (N5W)
GD	Black	Black	Black/Black	Star silver	•
CN	Cinnamon brown	Black	Black/Black	Star silver	•
GQ	Light grey	Quartz grey	Graphite grey/Graphite grey	Star silver	•
GR	Cardamom beige	Coriander beige	Tan beige/Tan beige	Linen beige	•

Colour and trim guide

Interior trim colours

Standard seats

To help you choose the right interior for your new Audi A4, please use this guide, showing the carpet, dashboard and headlining colours that have been matched to your chosen upholstery.

Sports seats

Climate Comfort seats

Options are subject to availability and may extend delivery.

- = Not available
• = Available
S = Standard

A4 allroad colour and trim guide

Order Code	Upholstery	Carpet	Dashboard (upper/lower)	Headlining	Tundra cloth (N2W)	Milano leather (N5W)	Valcona leather (N5D)
GD	Black	Black	Black/Black	Silver	•	•	•
CN	Cinnamon brown	Black	Black/Black	Silver	-	•	•
CX	Light grey	Black	Black/Black	Silver	•	•	•
BY	Luxor beige	Black	Black/Black	Linen beige	-	-	•
CT	Cardamom beige	Coriander beige	Tan beige/Tan beige	Linen beige	-	•	•

Order Code	Upholstery	Carpet	Dashboard (upper/lower)	Headlining	Tundra cloth (N2W)	Leather/Alcantara (N7U)	Milano leather (N5W)	Valcona leather (N5D)
GD	Black	Black	Black/Black	Silver	•	•	•	•
CN	Cinnamon brown	Black	Black/Black	Silver	-	-	•	-
CP	Cinnamon brown/Black	Black	Black/Black	Silver	-	-	-	•
CX	Light grey	Black	Black/Black	Silver	•	•	•	•
BY	Luxor beige	Black	Black/Black	Linen beige	-	-	-	•
BZ	Linen beige/ Cardamom beige	Coriander beige	Tan beige/Tan beige	Linen beige	-	-	-	•
CT	Cardamom beige	Coriander beige	Tan beige/Tan beige	Linen beige	-	-	•	-

Order Code	Upholstery	Carpet	Dashboard (upper/lower)	Headlining	Milano leather (N5W)
GD	Black	Black	Black/Black	Silver	•
CX	Light grey	Black	Black/Black	Silver	•
CT	Cardamom beige	Coriander beige	Tan beige/Tan beige	Linen beige	•

Colour and trim guide

Interior trim colours

Solid paint

Metallic paint

Pearl-effect paint

Options are subject to availability and may extend delivery.

- = Not available
- = Available
- S = Standard

A4 allroad exterior colours and bumper guide

Order Code	Exterior colour	Ebony coloured bumper	Platinum grey coloured bumper
T9	Ibis white	•	-
A2	Brilliant black	-	•

Order Code	Exterior colour	Ebony coloured bumper	Platinum grey coloured bumper
9X	Dakar beige	•	-
9X	Ice silver	•	-
5Q	Condor grey	•	-
9F	Sphere blue	•	-
4U	Teak brown	-	•

Order Code	Exterior colour	Ebony coloured bumper	Platinum grey coloured bumper
X5	Meteor grey	•	-
9C	Garnet red	•	-
X4	Stratos blue	•	-
L8	Phantom black	-	•
8A	Deep sea blue	-	•
1R	Lava grey	-	•

Upholstery

Audi exclusive

With Audi exclusive, you can specify your seats in Valcona leather or Valcona leather/Alcantara, in an array of different colours shown to the right.

Select just one all-over shade for each seat, or customise each panel in two or more complementary colours from the distinctive Audi exclusive palette. You can even choose the colour of the decorative stitching – to match or contrast with your chosen upholstery – from this varied collection. Whatever combination you decide upon, we think you'll be extremely comfortable with the result.

Options are subject to availability and may extend delivery.

– = Not available
• = Available
S = Standard

*All leather upholstery choices include seats and head restraints and come colour-coordinated with the option of contrasting stitching.

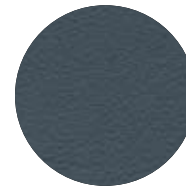
RRP – Recommended Retail Price.

VAT is calculated at 17.5% but this may alter to reflect any change in the applicable VAT rate.

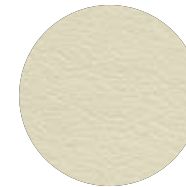
Order Code	Standard	SE	S line	S line Special Edition	A4 allroad	S4 quattro	Basic RRP	Total RRP inc VAT
PYB/S3G	Audi exclusive leather package 1 in Valcona leather – includes leather covered seat upholstery, door trim inserts and front centre armrest. Backrest covers and seat add-on parts come in the interior trim colour (only in conjunction with interior code “GD and QE”)*						£3,191.49	£3,750.00
PYC/S3G	Audi exclusive leather package 1 in Valcona leather/Alcantara – includes leather covered seat side trims, head restraints, front centre armrest, Alcantara door trim inserts and seat centre sections. Backrest covers and seat add-on parts come in the interior trim colour. (only in conjunction with interior code “GD and QE”. Cannot be combined with Comfort front seats)*						£3,191.49	£3,750.00
PYE/S3G	Audi exclusive leather package 2 in Valcona leather – includes all the contents of leather package 1 plus leather covered seat backrest covers, door armrests, handles, colour coordinated seat side trims and add-on parts (only in conjunction with interior code “GD and QE”)*						£3,617.02	£4,250.00



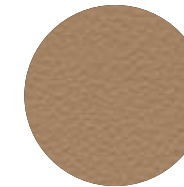
Chestnut brown



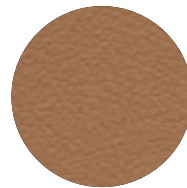
Jet grey



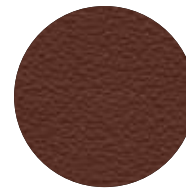
Alabaster white



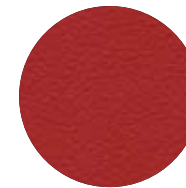
Sand beige



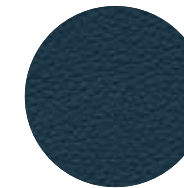
Cocos



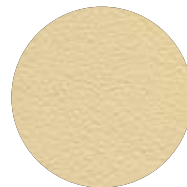
Saddle brown



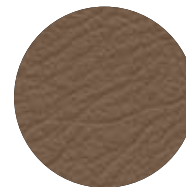
Crimson red



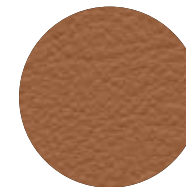
Palace blue



Magnolia



Havanna brown



Cognac

Also available:

Alcantara: available in all of the above Audi exclusive colours, except for Crimson red, Jet grey and Sand beige. Alcantara equivalents are Chilli red, Amethyst grey, and Sesame beige respectively.

Carpet: available in all of the above Audi exclusive colours, except for Crimson red and Saddle brown.

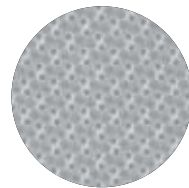
Please consult your Audi Centre for examples of Alcantara and carpet colours.



Inlays

Inlays are the all-important finishing touch that add flair and interest to your car's interior.

Order Code		Standard	SE	S line	S line Special Edition	A4 allroad	S4 quattro	Basic RRP	Total RRP inc VAT
5TE	Aluminium Hologram (with Aluminium optics for centre console and electromechanical parking brake)	●	-	-	-	-	-	£127.66	£150.00
		-	S	-	-	-	-	No charge	No charge
5MU	Aluminium Trigon (with Aluminium optics for centre console and electromechanical parking brake)	-	-	-	-	●	-	£127.66	£150.00
5MK	Carbon Atlas	-	-	-	-	-	●	£212.77	£250.00
5TK	Fine grain ash , almond beige (with Aluminium optics for centre console and electromechanical parking brake)	-	●	-	-	-	-	£127.66	£150.00
7TL	Fine grain ash , natural	-	-	-	-	●	-	£382.98	£450.00
5TZ	Fine grain birch wood , grey	-	-	●	●	-	-	£276.60	£325.00
7TD	Laurel nutmeg (with Aluminium optics for centre console and electromechanical parking brake)	-	●	-	-	●	-	£127.66	£150.00
5TL	Piano black	-	-	●	●	-	-	No charge	No charge
5MZ	Stainless steel mesh	-	-	-	-	-	●	£302.13	£355.00
5MG	Walnut brown (with Aluminium optics for centre console and electromechanical parking brake)	-	●	-	-	●	-	£127.66	£150.00



Aluminium Hologram – **5TE**



Walnut brown – **5MG**



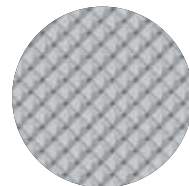
Fine grain ash almond beige – **5TK**



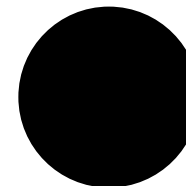
Laurel nutmeg – **7TD**



Fine grain ash natural – **7TL**



Aluminium Trigon – **5MU**



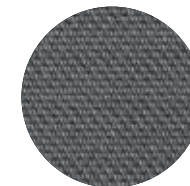
Piano black – **5TL**



Fine grain birch wood grey – **5TZ**



Carbon Atlas – **5MK**



Stainless steel mesh – **5MZ**

Options are subject to availability and may extend delivery.

- = Not available
● = Available
S = Standard

RRP – Recommended Retail Price.

VAT is calculated at 17.5% but this is subject to change to reflect any change in the applicable VAT rate.

Inlays

Audi exclusive

Audi exclusive has sourced a wide range of materials which you can select for your inlays, from Sepia oak to rich quilted Maple wood.

Order Code		Standard	SE	S line	S line Special Edition	A4 allroad	S4 quattro	Basic RRP	Total RRP inc VAT
YTA/S3G	Audi exclusive inlays (cannot be combined with the wood inlays shown on page 44)	-	•	•	•	•	•	£676.60	£795.00



Fine grain maple, copper



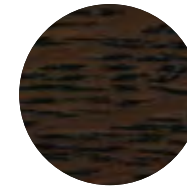
Fine grain ash, nougat



Fine grain myrtle, nutmeg



Poplar, saffron



Oak, sepia



Quilted maple, gold

Options are subject to availability and may extend delivery.

- = Not available
- = Available
- S = Standard

RRP – Recommended Retail Price.

VAT is calculated at 17.5% but this may alter to reflect any change in the applicable VAT rate.

Wheels, tyres and suspension

Choose a set of specially-selected alloy wheels to subtly enhance the way your car looks and drives. And you can also specify Audi drive select, which allows you to change suspension and steering settings according to your driving style.



17" x 7.5J '6-spoke'
design alloy wheels - PRE



17" x 8J '10-spoke'
design alloy wheels - PRT



18" x 8J '5-spoke star'
design alloy wheels - PRD



18" x 8J '5-arm rotor'
design alloy wheels - PRL



19" x 8.5J '5-segment-spoke'
design alloy wheels - PQ6



19" x 8.5J '7-arm double-spoke'
design alloy wheels - PQF

Wheels, tyres and suspension

Audi drive select

Audi drive select changes your car's handling and responses at the touch of a button to suit the way you want to drive. There are four modes: comfort, dynamic, auto and individual. Please note that you can only choose the 'individual' mode and customise your settings if you also have Satellite Navigation installed.

Dynamic steering

With this new technology, driving is significantly more agile under everyday conditions, while directional stability and precision are increased at high speeds and in demanding driving situations.

Damper control

Formed on the basis of lowered Sports suspension, the optional damper control system fine tunes suspension settings according to road conditions and driver needs.

Options are subject to availability and may extend delivery.

- = Not available
• = Available
S = Standard

*Not available on 2.0 TDIe.

RRP - Recommended Retail Price.

VAT is calculated at 17.5% but this may alter to reflect any change in the applicable VAT rate.

Order Code		Standard	SE	S line	S line Special Edition	A4 allroad	S4 quattro	Basic RRP	Total RRP inc VAT
PRY	17" x 7.5J '7-arm' design alloy wheels with 225/50 R17 tyres*	•	S	-	-	-	-	£382.98	£450.00
PRE	17" x 7.5J '6-spoke' design alloy wheels with 225/50 R17 tyres*	•	-	-	-	-	-	£468.09	£550.00
		-	•	-	-	-	-	£93.62	£110.00
PRT	17" x 8J '10-spoke' design alloy wheels with 245/45 R17 tyres*	•	-	-	-	-	-	£638.30	£750.00
		-	•	-	-	-	-	£255.32	£300.00
PRJ	18" x 8J '5-parallel-spoke' design alloy wheels with 245/40 R18 tyres	-	-	-	-	-	S	No charge	No charge
PRD	18" x 8J '5-spoke star' design alloy wheels with 245/40 R18 tyres*	-	•	-	-	-	S	£514.89	£605.00
PQH	18" x 8J '15-spoke' design alloy wheels with 245/40 R18 tyres*	-	•	-	-	-	-	£514.89	£605.00
PQ5	18" x 8J '10-spoke exclusive' design alloy wheels with 245/40 R18 tyres	-	-	•	-	-	-	No charge	No charge
PRL	18" x 8J '5-arm rotor' design alloy wheels with 245/45 R18 tyres	-	-	-	-	•	-	£131.91	£155.00
PQ6	19" x 8.5J '5-segment-spoke' design alloy wheels with 255/35 R19 tyres	-	-	-	-	-	•	£957.45	£1,125.00
PQF	19" x 8.5J '7-arm double-spoke' design alloy wheels with 255/35 R19 tyres	-	-	•	S	-	-	£553.19	£650.00
		-	-	-	-	-	•	£302.13	£355.00
PQS	19" x 8.5J '20-spoke' design alloy wheels with 255/35 R19 tyres	-	-	•	-	-	-	£553.19	£650.00
		-	-	-	-	-	•	£302.13	£355.00
1BE	Sports suspension, with stiffer springs, stiffer shock absorbers	-	•	S	S	-	-	£212.77	£250.00
1BV	S line Sports suspension, with stiffer springs, stiffer shock absorbers and a 30mm lower ride height	-	-	•	•	-	-	No charge	No charge
2H1	Audi drive select (must be combined with Dynamic Steering and/or Damper Control and/or quattro Sports differential)	-	•	•	•	•	•	£182.98	£215.00
1N7	Dynamic Steering (must be combined with Audi drive select)	-	•	•	•	•	•	£604.26	£710.00
1BL	Damper Control (must be combined with Audi drive select)	-	•	-	-	-	-	£565.96	£665.00
		-	-	•	•	-	•	£251.06	£295.00
GH2	Audi quattro® Sports differential (must be combined with Audi drive select, only available on 3.0 TDI, 3.2 FSI quattro and 3.0 TFSI quattro engines)	-	•	•	•	-	•	£514.89	£605.00

Packages

Some items work well together, which is why we've created these special packages. They provide increased convenience and value by combining several of our most popular options.

Order Code		Standard	SE	S line	S line Special Edition	A4 allroad	S4 quattro	Basic RRP	Total RRP inc VAT
9VK QV3	Sound package. Bang & Olufsen sound system and DAB digital radio	-	•	•	S	•	•	£425.53	£500.00
PNW 7X4 UF7	Technology package – Low. Satellite Navigation system – DVD-based with Audi Music Interface and Audi parking system plus	-	•	•	•	•	•	£1,272.34	£1,495.00
PNG 7X4 UF7	Technology package – High. HDD Satellite Navigation system with MMI 3G, Audi Music Interface and Audi parking system plus	-	•	•	•	•	•	£1,663.83	£1,955.00

Satellite Navigation system – DVD-based. DVD-based route-planning and guidance with MMI control logic and 6.5" colour monitor, 3D map display, RDS radio, DVD-player for navigation system, audio or MP3 CDs. Includes European coverage disc

Satellite Navigation system – HDD-based, with MMI 3G. 3rd generation of MMI including 2 FM tuners, high resolution (800x400) 7" colour TFT display, DVD movie-playing function, colour Driver's Information System, 2 SD card readers and 40GB hard drive – 10GB of which can be used to store up to 4,000 songs. HDD navigation functionality includes advanced speech recognition, 3D and topographical mapping display and advanced 3D building display

Options are subject to availability and may extend delivery.

- = Not available
- = Available
- S = Standard

RRP – Recommended Retail Price.

VAT is calculated at 17.5% but this may alter to reflect any change in the applicable VAT rate.



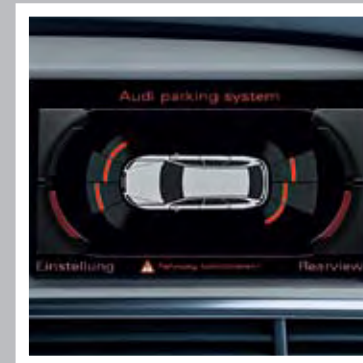
Audi Music Interface



Bang & Olufsen sound system



Advanced 3D building display (part of HDD navigation)



Acoustic parking system plus



Audio and communication

Stay in touch using our range of communication functions, and give each journey its own soundtrack with our advanced audio equipment.

Options are subject to availability and may extend delivery.

- = Not available
 • = Available
 S = Standard

RRP - Recommended Retail Price.

VAT is calculated at 17.5% but this may alter to reflect any change in the applicable VAT rate.

Order Code		Standard	SE	S line	S line Special Edition	A4 allroad	S4 quattro	Basic RRP	Total RRP inc VAT
UF7	Audi Music Interface (AMI). Universal connection for use with stereo audio sources, USB and MP3 devices including Apple iPod generation 4 onwards (iPod, iPod classic, iPod mini, iPod nano, iPod photo, iPod video, iPod touch). Provides intuitive control through the audio system and multi-function steering wheel. It also replicates the iPod display on the audio screen and DIS, including track titles. The interface provides a charging function (dependent on device). Must be combined with Concert or Symphony radio or a technology package (includes 2 cables to connect your iPod or USB MP3 device)	-	•	•	•	•	•	£212.77	£250.00
9VK	Bang & Olufsen sound system. Designed specifically for the Audi A4, providing surround sound reproduction with dynamic compensation for road noise, digital amplifier and 14 high-performance loudspeakers. Output 505 Watts	-	•	•	S	•	•	£446.81	£525.00
7A6	CD changer (only in combination with Satellite Navigation system - DVD-based or technology package low)	-	•	•	•	•	•	£255.32	£300.00
7D1	CD changer (only in combination with technology package high)	-	•	•	•	•	•	£255.32	£300.00
8UD	Concert radio. AM/FM twin tuner with TP memo function. Single front-loading CD player with MP3 compatibility. Active front and rear speakers. Includes colour centre console screen, SD memory-card reader and AUX-IN socket	•	S	S	S	S	S	£255.32	£300.00
QV3	DAB digital radio. Integrated into MMI, receives digitally-transmitted radio stations in addition to the range of analogue stations. Displays music track, artist and radio program. Reception dependent on local digital network. Automatic switch from DAB to FM reception if the network signal is not strong enough	-	•	•	S	•	•	£255.32	£300.00



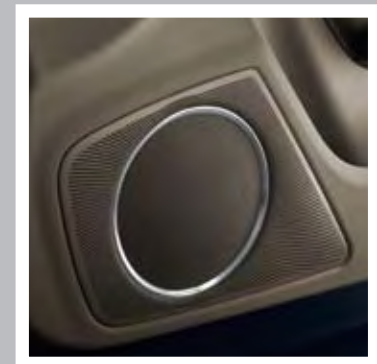
Audi Music Interface



DVD Satellite Navigation



Mobile telephone preparation - High



Bang & Olufsen sound system

Audio and communication

Order Code		Standard	SE	S line	S line Special Edition	A4 allroad	S4 quattro	Basic RRP	Total RRP inc VAT
9ZX	Mobile telephone preparation - Bluetooth interface. Provides handsfree connection via Bluetooth using mobile phone aerial. Please contact your Audi Centre for phone compatibility. Only in combination with multi-function steering wheel. Cannot be combined with Audi Chorus radio	●	S	S	S	S	S	£217.02	£255.00
PT4	Mobile telephone preparation – High with Bluetooth privacy handset located in front centre armrest. The cordless handset allows passengers to make private calls, providing remote control of the telephone functions as well as convenient SMS text message function. The handset is charged from a docking station in the front centre armrest. SIM card can be integrated directly in to the handset if the mobile phone does not have SIM-Access Profile (SAP). Only in combination with a technology package	-	●	●	●	●	●	£634.04	£745.00
9ZW	Mobile telephone preparation – High with Bluetooth. Provides handsfree connection using an external aerial for optimal reception via a Bluetooth interface. Please note that your mobile phone must have SIM-Access Profile facility for full functionality. Only in combination with a technology package	-	●	●	●	●	●	£378.72	£445.00
PT5	Mobile telephone preparation – Low with Bluetooth and voice control. Provides handsfree connection via Bluetooth using mobile phone aerial. Alternatively, it can use a cradle with charging facility for optimal reception via external aerial. Located in front centre armrest. Cradle available at extra cost – please contact your Audi Centre for phone compatibility. Only in combination with multi-function steering wheel. Cannot be combined with Chorus radio	●	-	-	-	-	-	£446.81	£525.00
		-	●	●	●	●	●	£144.68	£170.00
9WM	Rear Seat Entertainment. Includes two detachable DVD players/monitors fitted to the back of the front seats (supplied by Audi Genuine Accessories). The backs of the front seats are fitted with mountings and power connections. The system can be used outside the car using a rechargeable battery or mains power connection, which is included in the package. Includes individual remote controls and two sets of headphones	-	●	●	●	●	●	£846.81	£995.00
PNW	Satellite Navigation system – DVD-based. Includes MMI High and colour Driver's Information System (DIS). Integrated into the MMI is a clear map display with special destinations indicated by symbols, high-speed map loading, zoom function, bird's-eye view function, selection of address book destinations, target memory, dynamic route guidance with TMC (with vehicle life subscription), including Europe DVD (where digitised), and Satellite Navigation disc-reader located in the spare-wheel well under the boot. CD changer is recommended with this option	-	●	●	●	●	●	£1,348.94	£1,585.00
8UM	Symphony radio. AM/FM twin tuner with TP memo function. Front-loading 6-CD changer with MP3 compatibility and active front and rear speakers. Includes colour centre console screen, SD memory-card reader and AUX-IN socket. Cannot be combined with Satellite Navigation	●	-	-	-	-	-	£480.85	£565.00
		-	●	●	●	●	●	£234.04	£275.00
QV9	TV reception – analogue and digital. TV tuner for reception of 'free-to-air' TV channels. Picture display only possible on MMI screen when vehicle is stationary, audio available at all times. Reception dependent upon local digital network availability. Not available on 2.0 TDIe	-	●	●	●	●	●	£723.40	£850.00

Options are subject to availability and may extend delivery.

- = Not available
- = Available
- S = Standard

RRP – Recommended Retail Price.

VAT is calculated at 17.5% but this may alter to reflect any change in the applicable VAT rate.

Seats

Choose from a variety of different seat options so you can maintain the right driving posture at all times.

Options are subject to availability and may extend delivery.

- = Not available
• = Available
S = Standard

RRP – Recommended Retail Price.

VAT is calculated at 17.5% but this may alter to reflect any change in the applicable VAT rate.

Order Code		Standard	SE	S line	S line Special Edition	A4 allroad	S4 quattro	Basic RRP	Total RRP inc VAT
PV3	Convenience package. Comprising electric front seats with memory function on driver's side and lumbar support. Also includes electrically adjustable, heated, folding and auto-dimming door mirrors, with memory function and auto-dimming rear-view mirror	-	•	-	-	•	-	£1,191.49	£1,400.00
6XL		-	-	•	•	-	-	£995.74	£1,170.00
4L6		-	-	-	-	-	•	£553.19	£650.00
8N6									
6NQ	Cloth headlining – black cloth headlining	•	•	S	S	•	S	£170.21	£200.00
7P1	Electric lumbar support. For front seats with horizontal and vertical adjustment	•	•	S	S	•	S	£195.74	£230.00
PV1	Electrically-adjustable front seats. Includes adjustment for height, forwards and backwards position, backrest angle and lumbar support	•	•	-	-	•	-	£638.30	£750.00
		-	-	•	•	-	S	£442.55	£520.00
6E3	Front centre armrest with storage compartment. Includes 2 x 12V power sockets	•	S	S	S	S	S	£136.17	£160.00
4A3	Heated front seats. Individually controlled variable temperature adjustment	•	•	•	•	•	•	£212.77	£250.00
4A4	Heated front and rear seats. Individually controlled variable temperature adjustment. Not available with cloth seats	•	•	•	•	•	•	£382.98	£450.00
7HB	Leather armrests	-	•	•	•	•	•	£165.96	£195.00
3X2	Through-load facility. Includes removable ski bag for transporting long objects. Not available on 2.0 TDIe	•	•	•	•	•	•	£136.17	£160.00



Safety and security

Intelligent technology designed to give you better all-round awareness and safety on the road.

Order Code		Standard	SE	S line	S line Special Edition	A4 allroad	S4 quattro	Basic RRP	Total RRP inc VAT
7X1	Acoustic parking system (rear only). Aids parking by acoustically indicating distances to obstacles	●	S	S	S	S	S	£302.13	£355.00
UH2	Audi hill-hold assist. Automatically activates electromechanical parking brake when stationary. Not available on 2.0 TDI or 2.0 TFSI models with manual gearboxes	●	●	●	●	●	●	£38.30	£45.00
PU1	Audi lane assist. Uses a discreet camera mounted at the top of the windscreen to monitor the road ahead. The driver is warned via a vibration of the steering wheel if the vehicle is about to exit the lane unintentionally. Not available on 2.0 TDIe when combined with side assist. Only in combination with 4-spoke multi-function steering wheel	-	●	●	●	●	-	£382.98	£450.00
7X8	Audi parking system advanced. Aids parking by acoustically and visually indicating distances to obstacles with guiding lines. Measured by sensors and reversing camera. Not available on 2.0 TDIe. Only in combination with technology package	-	●	●	●	●	●	£595.74	£700.00
7X4	Audi parking system plus. Aids parking by acoustically and visually indicating distances to obstacles	-	●	●	●	●	●	£251.06	£295.00
7Y1	Audi side assist. Aids the driver when changing lane. Audi side assist monitors the area behind your car, using radar sensors located discreetly in the rear bumper, informing the driver with a visual warning signal in the door mirror if there is a vehicle in their blind spot or approaching quickly from behind. The system is activated using a button in the driver's door. Not available on 2.0 TDIe when combined with lane assist	-	●	●	●	●	●	£382.98	£450.00
4X4	Rear side airbags. Situated in side of rear seats	●	●	●	●	●	●	£212.77	£250.00
7K6	Tyre pressure loss indicator. A visual and acoustic warning when the system detects a potential loss of tyre pressure	●	●	●	●	●	●	£63.83	£75.00

Warranty

Options are subject to availability and may extend delivery.

- = Not available
- = Available
- S = Standard

*Only available when ordering your new A4. Please speak to your Audi Centre for full details.

RRP – Recommended Retail Price.

VAT is calculated at 17.5% but this may alter to reflect any change in the applicable VAT rate.

-	Audi Warranty, covering you for unlimited mileage in the first 2 years of ownership, and up to 60,000 miles in the third year. Transferable between owners*	S	S	S	S	S	S	No charge	No charge
EA6	Audi Warranty, covering you for up to 4 years or 75,000 miles, whichever comes soonest. Cover includes a 2-year unlimited mileage warranty, and up to 75,000 miles in the third and fourth years. Transferable between owners*	●	●	●	●	●	●	£319.15	£375.00
EA9	Audi Warranty, covering you for up to 5 years or 90,000 miles, whichever comes soonest. Cover includes a 2-year unlimited mileage warranty, and up to 90,000 miles in the third, fourth and fifth years. Transferable between owners*	●	●	●	●	●	●	£757.45	£890.00

Interior equipment

Specify every detail of your car's interior with this range of exclusive options.

Order Code		Standard	SE	S line	S line Special Edition	A4 allroad	S4 quattro	Basic RRP	Total RRP inc VAT
8T4	Adaptive cruise control (ACC). Automatic distance regulation, using radar sensors to maintain required distance by braking and accelerating. Four programs (distance 1 to distance 4) set via steering column controls of the cruise control system. Not available on 2.0 TDIe	-	●	●	●	●	●	£774.47	£910.00
4F2	Advanced key. Access and authorisation system which automatically exchanges data between key and vehicle, allowing the driver to keep the key in their pocket or bag at all times. To unlock and open, simply lift the exterior door handle. To lock, press the button on the handle. Pressing the Start-Stop button integrated in the centre console starts and stops the engine. Not available on 2.0 TDIe	-	●	●	●	●	●	£421.28	£495.00
8T1	Cruise control. For holding any speed above 25mph	●	S	S	S	S	S	£161.70	£190.00
6XK	Door mirrors – electrically folding, heated and auto-dimming	-	●	●	●	●	●	£127.66	£150.00
3FE	Electric slide-and-tilt sunroof. Includes position pre-selection, tinted glass insert, variable sunshield and convenience closing. Only available on Saloon models. Not available on 2.0 TDIe	●	●	●	●	-	●	£723.40	£850.00
VC1	Garage door opener (Homelink®*). Programmable radio-operated remote control for compatible doors/gates. Control buttons integrated in the front roof module	●	●	●	●	●	●	£148.94	£175.00
QQ1	Interior light package. Includes front footwell lighting, active door reflectors, illuminated vanity mirrors, rear reading lights, entrance lights and illuminated glove compartment, vents and internal door controls	●	●	●	●	●	S	£140.43	£165.00
3GN	Load-area fixing kit. Includes load-area rails, telescopic bar and securing belt for dividing up luggage compartment. Only available on Avant models	●	●	●	●	S	●	£127.66	£150.00
3FU	Open Sky panoramic sunroof. Comprising glass roof with electric slide-and-tilt control and sunshade at front and rear. Only available on Avant models	●	●	●	●	●	●	£936.17	£1,100.00
3Y2	Rear window blind – electric (Saloon only) Not available on 2.0 TDIe	●	●	●	●	●	●	£200.00	£235.00
6SJ	Reversible load floor mat. Luggage compartment floor mat can be reversed to provide a rubber mat which extends to protect rear bumper. Includes bumper cover. Only available on Avant models	●	●	●	●	S	●	£72.34	£85.00
3Y4	Side window blinds – manual	●	●	●	●	●	●	£85.11	£100.00
QE1	Storage Package. Comprising storage nets on front seat back-rests, storage compartment under the front seats (if memory function is fitted, only under the front passenger seat), drinks holder in the rear centre armrest and a lockable glove compartment.	●	●	●	●	S	●	£85.11	£100.00
YSQ S3G	Audi exclusive carpets (includes 4 Audi exclusive floor mats with leather piping)**	-	●	●	●	●	●	£723.40	£850.00
YSR S3G	Audi exclusive floor mats with leather piping**	-	●	●	●	●	●	£255.32	£300.00

Options are subject to availability and may extend delivery.

- = Not available
● = Available
S = Standard

*HomeLink® is a registered trademark of Johnson Controls. For information on compatibility, visit www.homelink.com.

**The colours of the carpet and floor mats with leather piping can be selected from any of the exclusive colours shown on page 42.

RRP – Recommended Retail Price.

VAT is calculated at 17.5% but this may alter to reflect any change in the applicable VAT rate.

Exterior equipment

Make sure your car looks exactly as you want it to by selecting some of our striking options.

Options are subject to availability and may extend delivery.

- = Not available
 • = Available
 S = Standard

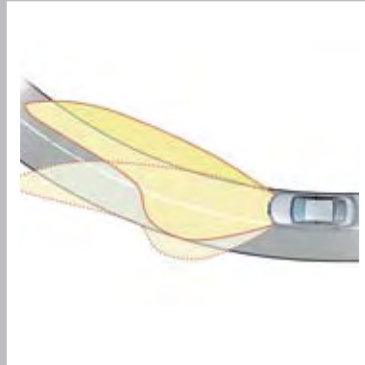
RRP – Recommended Retail Price.

VAT is calculated at 17.5% but this may alter to reflect any change in the applicable VAT rate.

Order Code		Standard	SE	S line	S line Special Edition	A4 allroad	S4 quattro	Basic RRP	Total RRP inc VAT
PX1 8K4 8Q5	Adaptive headlights. Swivelling headlights for improved illumination of a winding road. Includes Xenon Plus headlights with LED daytime-running lights and headlight washers. Not available on 2.0 TDIe	•	•	-	-	•	-	£940.43	£1,105.00
8Q5	Adaptive light. Swivelling headlights for improved illumination of a winding road.	-	-	•	•	-	•	£276.60	£325.00
4ZM	Black styling package. Radiator grille-frame in highly polished black, with radiator grille, number plate holder and window surround in matt black. Avant models include black roof rails. S line includes black surround for fog-lights	•	•	•	•	•	•	£302.13	£355.00
2Z7	Deletion of engine capacity at rear	•	•	•	•	•	•	No charge	No charge
2Z0	Deletion of model and engine capacity designation at rear	•	•	•	•	•	•	No charge	No charge
VJ1	Full paint finish. Bumpers are painted in body colour with matt finish (not available in combination with Brilliant black, Sphere blue, Garnet red, Lava grey, Stratos blue or Dakar beige)	-	-	-	-	•	-	£957.45	£1,125.00
8N7	High-beam assist. Automatically adjusts headlights from high-beam to dipped-beam when another vehicle is approaching (only in combination with auto dimming rear view mirror)	•	•	•	•	•	•	£93.62	£110.00
8N6	Light and rain sensor – which controls the automatic headlights facility, the coming home/leaving home function and the automatic windscreen wipers	•	S	S	S	S	S	£170.21	£200.00
4E9	Power-operated tailgate. Opened by pressing button on the car key, button in the driver's door trim or soft-touch button in the handle recess on the luggage compartment lid. Including lid-closing assistance unit and programmable angle for the luggage compartment lid. Only available on Avant models	•	•	•	•	•	•	£182.98	£215.00
VW1	Privacy glass. Dark tinted glass from B-pillar backwards. Only available on Avant models	-	•	•	•	•	•	£276.60	£325.00
1D2	Towing equipment – removable. Factory-fitted and removable. Usually requires a 13- to 7-pin adaptor. Please consult your Audi Centre for details. Not available on 2.0 TDIe	•	•	•	•	•	•	£553.19	£650.00



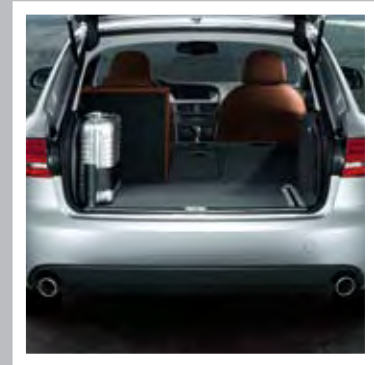
Adaptive Xenon Plus headlights with LED daytime-running lights



Adaptive lights



Privacy glass



Power-operated tailgate

Steering wheels

Our steering wheels are available in a range of textures and designs and can give you control over everything from your Satellite Navigation system to the S tronic transmission.

Options are subject to availability and may extend delivery.

- = Not available
- = Available
- S = Standard

*In any of the eleven exclusive colours shown on page 42.

RRP – Recommended Retail Price.

VAT is calculated at 17.5% but this may alter to reflect any change in the applicable VAT rate.

Order Code		Standard	SE	S line	S line Special Edition	A4 allroad	S4 quattro	Basic RRP	Total RRP inc VAT
1XW	3-spoke multi-function steering wheel. Manual models only	-	•	S	S	-	S	£85.11	£100.00
1XX	3-spoke multi-function steering wheel with gear-shift paddles. Automatic models only	-	•	S	S	•	S	£204.26	£240.00
2ZQ	4-spoke multi-function steering wheel. Manual models only – includes Driver’s Information System. Only in combination with Audi lane assist on S line models	•	-	-	-	-	-	£127.66	£150.00
		-	S	•	•	S	•	No charge	No charge
2ZS	4-spoke multi-function steering wheel with gear-shift paddles. Automatic models only. Only in combination with Audi lane assist	-	•	-	-	•	-	£119.15	£140.00
		-	-	•	•	-	•	No charge	No charge
YRB/S3G	Audi exclusive – controls package (includes leather-covered steering wheel, handbrake grip and gear-shift gaiter)*	-	•	•	•	•	•	£510.64	£600.00
YRH/S3G	Audi exclusive – steering wheel*	-	•	•	•	•	•	£302.13	£355.00
YRI/S3G	Audi exclusive – 4-spoke steering wheel – part-wood, part-leather (only in combination with matching Audi exclusive inlays)	-	•	-	-	•	•	£510.64	£600.00





Merchandise

From the enthusiasts' motorsport collection to the sophisticated Audi collection, there's a wide variety of adults' and children's clothing, lifestyle accessories and collectables, all of which bear the Audi name.

Please speak to a member of our team at your local Audi Centre to see the full Audi collection and to place an order. A selection of Audi merchandise is also available to buy from audi.co.uk/merchandise.



Audi kids



Bags and leather goods



Clothing



Motorsports



Sport and travel



Model cars

Accessories

Choosing an Audi isn't just a matter of deciding on the model you want; it's about creating a car that suits your needs perfectly. And that's why we've developed a whole range of accessories to enhance your A4, enabling you to customise it down to the last detail. Like your Audi, all these accessories are developed to the highest possible standards. And they're all available exclusively from Audi.

To find out more, just visit audi.co.uk/accessories or contact your local Audi Centre.

Warranty

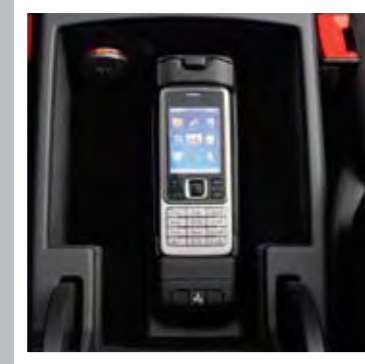
All the accessories available on the A4 are covered by a three-year warranty* if they are ordered and included in the purchase price of the car at date of delivery. Any accessories ordered and installed after delivery include a two-year warranty.*



Sport and design



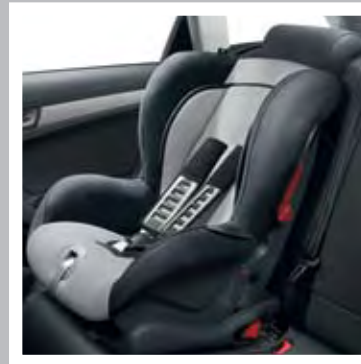
Transport and touring



Entertainment and communication



Comfort and protection



Family



Safety and security

*Excluding Road Angel products.
Audi Accessories warranty terms and conditions can be found at audi.co.uk

A4 Saloon Petrol technical data

Engine	1.8 TFSI	1.8 TFSI	1.8 TFSI	2.0 TFSI	2.0 TFSI	2.0 TFSI quattro
Transmission	6-speed manual	6-speed manual	multitronic	6-speed manual	multitronic	6-speed manual
Cylinder	4-cylinder	4-cylinder	4-cylinder	4-cylinder	4-cylinder	4-cylinder
Displacement, cubic cm (valves per cylinder)	1798	1798	1798	1984	1984	1984
Max. power ¹ , PS	120	160	160	211	211	211
Max. torque, Nm at rpm	230/1500-3650	250/1500-4500	250/1500-4500	350/1500-4200	350/1500-4200	350/1500-4200
0-62mph acceleration, seconds	10.5	8.6	8.6	6.9	6.9	6.6
Top speed, mph	130	140	140	155	150	153
CO ₂ emissions ² , g/km	164	164	169	149	167	169
Benefit in kind (BIK)%	20%	20%	21%	17%	21%	21%
Fuel consumption, mpg (l/100km) Urban	28.5 (9.9)	29.4 (9.6)	30.1 (9.4)	34.0 (8.3)	30.1 (9.4)	29.1 (9.7)
Fuel consumption, mpg (l/100km) Extra Urban	51.4 (5.5)	49.6 (5.7)	47.9 (5.9)	53.3 (5.3)	50.4 (5.7)	48.7 (5.8)
Fuel consumption, mpg (l/100km) Combined	39.8 (7.1)	39.8 (7.1)	39.2 (7.2)	44.1 (6.4)	39.8 (7.1)	38.7 (7.3)
ABI insurance group	11E	14E	14E	15E	15E	16E
Unladen weight ³ , kg	1410	1410	1410	1440	1475	1525
Gross weight limit, kg	1960	1960	1960	1990	1985	2075
Roof load limit/nose weight, kg	75/80	75/80	75/80	75/80	75/80	75/80
Max trailer load unbraked ⁴ , kg	740	740	740	750	750	750
Max trailer load with 12% gradient ⁴ , kg	1300	1300	1300	1500	1500	1700
Max trailer load with 8% gradient ⁴ , kg	1500	1500	1500	1700	1700	1900
Luggage compartment capacity, rear seats upright, litres	480	480	480	480	480	480
Luggage compartment capacity, rear seats folded, litres	962	962	962	962	962	962
Fuel tank capacity approx, litres	65	65	65	65	65	65

¹The given value was obtained in accordance with the specified measurement procedure (the respective current version of the Directive 80/1269/EEC).

²The given values were calculated in accordance with the specified measurement procedure (the respective current version of Directive 80/1268/EEC). This information does not relate to a single vehicle and does not comprise part of the offer but is merely intended for the purpose of comparison between the different vehicle types.

³Vehicle's unladen weight without driver (calculated in accordance with the current version of Directive 80/1268/EEC). The fitting of additional equipment may increase the vehicle's unladen weight and drag coefficient, whereupon the potential carrying capacity and top speed will be correspondingly reduced.

⁴The engine's power output always goes down with increasing altitude. At 1,000m above sea level, and for every additional 1,000m, deduct 10% from the weight of the outfit (trailer load limit + gross weight of the towing vehicle).

A4 Saloon Petrol technical data

Engine	2.0 TFSI quattro	3.2 FSI	3.2 FSI quattro	3.2 FSI quattro	S4 quattro	S4 quattro
Transmission	7-speed S tronic	multitronic	6-speed manual	tiptronic	6-speed manual	7-speed S tronic
Cylinder	4-cylinder	V6	V6	V6	V6	V6
Displacement, cubic cm (valves per cylinder)	1984	3197	3197	3197	2995	2995
Max. power ¹ , PS	211	265	265	265	333	333
Max. torque, Nm at rpm	350/1500-4200	350/3000-5000	330/3000-5000	330/3000-5000	440/2900-5300	440/2900-5300
0-62mph acceleration, seconds	6.5	6.5	6.2	6.4	5.1	5.3
Top speed, mph	150	155	155	155	155	155
CO ₂ emissions ² , g/km	172	194	213	215	225	219
Benefit in kind (BIK)%	22%	26%	30%	31%	33%	31%
Fuel consumption, mpg (l/100km) Urban	30.4 (9.3)	25.2 (12.2)	21.7 (13.0)	21.7 (13.0)	20.6 (13.7)	20.9 (13.5)
Fuel consumption, mpg (l/100km) Extra Urban	44.8 (6.3)	44.1 (6.2)	42.8 (6.6)	42.2 (6.7)	38.7 (7.3)	40.4 (7.0)
Fuel consumption, mpg (l/100km) Combined	38.2 (7.4)	34.4 (8.4)	31.7 (8.9)	31.4 (9.0)	29.1 (9.7)	30.1 (9.4)
ABI insurance group	16E	16E	16E	16E	18E	18E
Unladen weight ³ , kg	1550	1530	1580	1610	1650	1685
Gross weight limit, kg	2050	2080	2130	2165	2200	2235
Roof load limit/nose weight, kg	75/80	75/80	75/80	75/80	75/80	75/80
Max trailer load unbraked ⁴ , kg	750	750	750	750	750	750
Max trailer load with 12% gradient ⁴ , kg	1700	1700	1900	1900	1900	1900
Max trailer load with 8% gradient ⁴ , kg	1900	1800	2100	2100	2100	2100
Luggage compartment capacity, rear seats upright, litres	480	480	480	480	480	480
Luggage compartment capacity, rear seats folded, litres	960	962	962	962	962	962
Fuel tank capacity approx, litres	64	65	64	64	64	64

¹The given value was obtained in accordance with the specified measurement procedure (the respective current version of the Directive 80/1269/EEC).

²The given values were calculated in accordance with the specified measurement procedure (the respective current version of Directive 80/1268/EEC). This information does not relate to a single vehicle and does not comprise part of the offer but is merely intended for the purpose of comparison between the different vehicle types.

³Vehicle's unladen weight without driver (calculated in accordance with the current version of Directive 80/1268/EEC). The fitting of additional equipment may increase the vehicle's unladen weight and drag coefficient, whereupon the potential carrying capacity and top speed will be correspondingly reduced.

⁴The engine's power output always goes down with increasing altitude. At 1,000m above sea level, and for every additional 1,000m, deduct 10% from the weight of the outfit (trailer load limit + gross weight of the towing vehicle).

A4 Saloon Diesel technical data

Engine	2.0 TDI	2.0 TDIe	2.0 TDI	2.0 TDI	2.0 TDI	2.0 TDI quattro	2.7 TDI	3.0 TDI quattro	3.0 TDI quattro
Transmission	6-speed manual	6-speed manual	6-speed manual	multitronic	6-speed manual	6-speed manual	multitronic	6-speed manual	5 tronic
Cylinder	4-cylinder	4-cylinder	4-cylinder	4-cylinder	4-cylinder	4-cylinder	V6	V6	V6
Displacement, cubic cm (valves per cylinder)	1968	1968	1968	1968	1968	1968	2698	2967	2967
Max. power ¹ , PS	120	136	143	143	170	170	190	240	240
Max. torque, Nm at rpm	290/1750-2500	320/1750-2500	320/1750-2500	320/1750-2500	350/1750-2500	350/1750-2500	400/1400-3250	500/1500-3000	500/1500-3000
0-62mph acceleration, seconds	10.7	9.5	9.4	9.4	8.3*	8.3*	7.7	6.1	6.2
Top speed, mph	127	134	134	134	143	140	140	155	155
CO ₂ emissions ² , g/km	129	120	134	149	134	149	167	172	174
Benefit in kind (BIK)%	18%	13%	18%	20%	18%	20%	24%	25%	27%
Fuel consumption, mpg (l/100km) Urban	45.6 (6.2)	48.7 (5.8)	43.5 (6.5)	36.2 (7.8)	45.6 (6.2)	39.8 (7.1)	36.2 (7.8)	32.1 (8.8)	34.0 (8.3)
Fuel consumption, mpg (l/100km) Extra Urban	67.3 (4.2)	74.3 (3.8)	65.7 (4.3)	60.1 (4.7)	64.2 (4.4)	57.6 (4.9)	51.4 (5.5)	53.3 (5.3)	49.6 (5.7)
Fuel consumption, mpg (l/100km) Combined	57.6 (4.9)	61.4 (4.6)	55.4 (5.1)	48.7 (5.8)	55.4 (5.1)	49.6 (5.7)	44.1 (6.4)	42.8 (6.6)	42.8 (6.6)
ABI insurance group	11E	TBC	12E	12E	14E	14E	15E	16E	16E
Unladen weight ³ , kg	1470	1475	1465	1495	1465	1560	1595	1655	1690
Gross weight limit, kg	2020	2025	2015	2045	2015	2020	2145	2205	2240
Roof load limit/nose weight, kg	75/80	75/80	75/80	75/80	75/80	75/80	75/80	75/80	75/80
Max trailer load unbraked ⁴ , kg	750	750	750	750	750	750	750	750	750
Max trailer load with 12% gradient ⁴ , kg	1300	1300	1700	1700	1600*	1600*	1700	1900	1900
Max trailer load with 8% gradient ⁴ , kg	1500	1500	1900	1900	1800*	1800*	1900	2100	2100
Luggage compartment capacity, rear seats upright, litres	480	480	480	480	480	480	480	480	480
Luggage compartment capacity, rear seats folded, litres	962	962	962	962	962	962	962	962	962
Fuel tank capacity approx, litres	65	65	65	65	65	64	65	64	64

¹The given value was obtained in accordance with the specified measurement procedure (the respective current version of the Directive 80/1269/EEC).

²The given values were calculated in accordance with the specified measurement procedure (the respective current version of Directive 80/1268/EEC). This information does not relate to a single vehicle and does not comprise part of the offer but is merely intended for the purpose of comparison between the different vehicle types.

³Vehicle's unladen weight without driver (calculated in accordance with the current version of Directive 80/1268/EEC). The fitting of additional equipment may increase the vehicle's unladen weight and drag coefficient, whereupon the potential carrying capacity and top speed will be correspondingly reduced.

⁴The engine's power output always goes down with increasing altitude. At 1,000m above sea level, and for every additional 1,000m, deduct 10% from the weight of the outfit (trailer load limit + gross weight of the towing vehicle).



A4 Avant

Petrol

technical data

Engine	1.8 TFSI	1.8 TFSI	1.8 TFSI	2.0 TFSI	2.0 TFSI	2.0 TFSI quattro
Transmission	6-speed manual	6-speed manual	multitronic	6-speed manual	multitronic	6-speed manual
Cylinder	4-cylinder	4-cylinder	4-cylinder	4-cylinder	4-cylinder	4-cylinder
Displacement, cubic cm (valves per cylinder)	1798	1798	1798	1984	1984	1984
Max. power ¹ , PS	120	160	160	211	211	211
Max. torque, Nm at rpm	230/1500-3650	250/1500-4500	250/1500-4500	350/1500-4200	350/1500-4200	350/1500-4200
0-62mph acceleration, seconds	10.5	8.6	8.6	6.9	6.9	6.6
Top speed, mph	128	140	138	150	150	148
CO ₂ emissions ² , g/km	169	169	174	154	172	169
Benefit in kind (BIK)%	21%	21%	22%	18%	22%	21%
Fuel consumption, mpg (l/100km) Urban	29.4 (9.6)	29.4 (9.6)	29.4 (9.6)	33.6 (8.4)	29.1 (9.8)	29.1 (9.7)
Fuel consumption, mpg (l/100km) Extra Urban	48.7 (5.8)	48.7 (5.8)	46.3 (6.1)	50.4 (5.6)	47.9 (5.9)	48.7 (5.8)
Fuel consumption, mpg (l/100km) Combined	39.2 (7.2)	39.2 (7.2)	38.2 (7.4)	42.8 (6.6)	38.7 (7.3)	38.7 (7.3)
ABI insurance group	11E	14E	14E	15E	15E	16E
Unladen weight ³ , kg	1470	1470	1510	1500	1530	1570
Gross weight limit, kg	2040	2040	2080	2070	2065	2140
Roof load limit/nose weight, kg	90/80	90/80	90/80	90/80	90/80	90/80
Max trailer load unbraked ⁴ , kg	750	750	750	750	750	750
Max trailer load with 12% gradient ⁴ , kg	1300	1300	1300	1500	1500	1700
Max trailer load with 8% gradient ⁴ , kg	1500	1500	1500	1700	1700	1900
Luggage compartment capacity, rear seats upright, litres	490	490	490	490	490	490
Luggage compartment capacity, rear seats folded, litres	1430	1430	1430	1430	1430	1430
Fuel tank capacity approx, litres	65	65	65	65	65	65

¹The given value was obtained in accordance with the specified measurement procedure (the respective current version of the Directive 80/1269/EEC).

²The given values were calculated in accordance with the specified measurement procedure (the respective current version of Directive 80/1268/EEC). This information does not relate to a single vehicle and does not comprise part of the offer but is merely intended for the purpose of comparison between the different vehicle types.

³Vehicle's unladen weight without driver (calculated in accordance with the current version of Directive 80/1268/EEC). The fitting of additional equipment may increase the vehicle's unladen weight and drag coefficient, whereupon the potential carrying capacity and top speed will be correspondingly reduced.

⁴The engine's power output always goes down with increasing altitude. At 1,000m above sea level, and for every additional 1,000m, deduct 10% from the weight of the outfit (trailer load limit + gross weight of the towing vehicle).

A4 Avant Petrol technical data

Engine	2.0 TFSI quattro	3.2 FSI	3.2 FSI quattro	3.2 FSI quattro	S4 quattro	S4 quattro
Transmission	7-speed S tronic	multitronic	6-speed manual	tiptronic	6-speed manual	7-speed S tronic
Cylinder	4-cylinder	V6	V6	V6	V6	V6
Displacement, cubic cm (valves per cylinder)	1984	3197	3197	3197	2995	2995
Max. power ¹ , PS	211	265	265	265	333	333
Max. torque, Nm at rpm	350/1500-4200	350/3000-5000	330/3000-5000	330/3000-5000	440/2900-5300	440/2900-5300
0-62mph acceleration, seconds	6.5	6.5	6.2	6.4	5.1	5.3
Top speed, mph	145	155	155	155	155	155
CO ₂ emissions ² , g/km	175	199	216	219	229	224
Benefit in kind (BIK)%	23%	27%	31%	31%	33%	32%
Fuel consumption, mpg (l/100km) Urban	30.1 (9.4)	24.8 (12.3)	21.7 (13.0)	21.6 (13.1)	20.5 (13.8)	20.6 (13.7)
Fuel consumption, mpg (l/100km) Extra Urban	43.5 (6.5)	42.2 (6.5)	41.5 (6.8)	40.9 (6.9)	37.7 (7.5)	39.2 (7.2)
Fuel consumption, mpg (l/100km) Combined	37.2 (7.6)	33.6 (8.6)	31.0 (9.1)	30.7 (9.2)	28.5 (9.9)	29.4 (9.6)
ABI insurance group	16E	16E	16E	16E	18E	18E
Unladen weight ³ , kg	1605	1590	1630	1660	1705	1735
Gross weight limit, kg	2175	2160	2200	2230	2275	2305
Roof load limit/nose weight, kg	90/80	90/80	90/80	90/80	90/80	90/80
Max trailer load unbraked ⁴ , kg	750	750	750	750	750	750
Max trailer load with 12% gradient ⁴ , kg	1700	1700	1900	1900	1900	1900
Max trailer load with 8% gradient ⁴ , kg	1900	1800	2100	2100	2100	2100
Luggage compartment capacity, rear seats upright, litres	490	490	490	490	490	490
Luggage compartment capacity, rear seats folded, litres	1430	1430	1430	1430	1430	1430
Fuel tank capacity approx, litres	64	65	64	64	64	64

¹The given value was obtained in accordance with the specified measurement procedure (the respective current version of the Directive 80/1269/EEC).

²The given values were calculated in accordance with the specified measurement procedure (the respective current version of Directive 80/1268/EEC). This information does not relate to a single vehicle and does not comprise part of the offer but is merely intended for the purpose of comparison between the different vehicle types.

³Vehicle's unladen weight without driver (calculated in accordance with the current version of Directive 80/1268/EEC). The fitting of additional equipment may increase the vehicle's unladen weight and drag coefficient, whereupon the potential carrying capacity and top speed will be correspondingly reduced.

⁴The engine's power output always goes down with increasing altitude. At 1,000m above sea level, and for every additional 1,000m, deduct 10% from the weight of the outfit (trailer load limit + gross weight of the towing vehicle).

A4 Avant Diesel technical data

Engine	2.0 TDI	2.0 TDI	2.0 TDI	2.0 TDI	2.0 TDI quattro	2.7 TDI	3.0 TDI quattro	3.0 TDI quattro
Transmission	6-speed manual	6-speed manual	multitronic	6-speed manual	6-speed manual	multitronic	6-speed manual	S tronic
Cylinder	4-cylinder	4-cylinder	4-cylinder	4-cylinder	4-cylinder	V6	V6	V6
Displacement, cubic cm (valves per cylinder)	1968	1968	1968	1968	1968	2698	2967	2967
Max. power ¹ , PS	120	143	143	170	170	190	240	240
Max. torque, Nm at rpm	290/1750-2500	320/1750-2500	320/1750-2500	350/1750-2500	350/1750-2500	400/1400-3250	500/1500-3000	500/1500-3000
0-62mph acceleration, seconds	11.2	9.7	9.7	8.6	8.6	8.3	6.3	6.3
Top speed, mph	122	130	125	140	138	140	155	155
CO ₂ emissions ² , g/km	134	139	155	144	154	169	176	179
Benefit in kind (BIK)%	18%	18%	22%	19%	21%	24%	26%	28%
Fuel consumption, mpg (l/100km) Urban	44.8 (6.3)	42.8 (6.6)	37.7 (7.5)	42.2 (6.2)	39.8 (7.1)	36.7 (7.7)	31.7 (8.9)	33.2 (8.5)
Fuel consumption, mpg (l/100km) Extra Urban	62.8 (4.5)	62.8 (4.5)	54.3 (5.2)	60.1 (4.7)	55.4 (5.1)	48.7 (5.8)	50.4 (5.6)	48.7 (5.8)
Fuel consumption, mpg (l/100km) Combined	55.4 (5.1)	53.3 (5.3)	47.1 (6.0)	51.4 (5.5)	48.7 (5.8)	43.5 (6.5)	41.5 (6.8)	41.5 (6.8)
ABI insurance group	11E	12E	12E	14E	14E	15E	16E	16E
Unladen weight ³ , kg	1530	1525	1555	1525	1600	1620	1695	1695
Gross weight limit, kg	2100	2095	2125	2095	2170	2190	2265	2265
Roof load limit/nose weight, kg	90/80	90/80	90/80	90/80	90/80	90/80	90/80	90/80
Max trailer load unbraked ⁴ , kg	750	750	750	750	750	750	750	750
Max trailer load with 12% gradient ⁴ , kg	1300	1700	1700	1600*	1600*	1600	1900	1900
Max trailer load with 8% gradient ⁴ , kg	1500	1900	1900	1800*	1800*	1800	2100	2100
Luggage compartment capacity, rear seats upright, litres	490	490	490	490	490	490	490	490
Luggage compartment capacity, rear seats folded, litres	1430	1430	1430	1430	1430	1430	1430	1430
Fuel tank capacity approx, litres	65	65	65	65	65	65	64	64

¹The given value was obtained in accordance with the specified measurement procedure (the respective current version of the Directive 80/1269/EEC).

²The given values were calculated in accordance with the specified measurement procedure (the respective current version of Directive 80/1268/EEC). This information does not relate to a single vehicle and does not comprise part of the offer but is merely intended for the purpose of comparison between the different vehicle types.

³Vehicle's unladen weight without driver (calculated in accordance with the current version of Directive 80/1268/EEC). The fitting of additional equipment may increase the vehicle's unladen weight and drag coefficient, whereupon the potential carrying capacity and top speed will be correspondingly reduced.

⁴The engine's power output always goes down with increasing altitude. At 1,000m above sea level, and for every additional 1,000m, deduct 10% from the weight of the outfit (trailer load limit + gross weight of the towing vehicle).

A4 allroad technical data

	Petrol	Diesel	
Engine	2.0 TFSI quattro	2.0 TDI quattro	3.0 TDI quattro
Transmission	7-speed S tronic	6-speed manual	7-speed S tronic
Cylinder	4-cylinder	4-cylinder	V6
Displacement, cubic cm (valves per cylinder)	1984	1968	2967
Max. power ¹ , PS	211	170	240
Max. torque, Nm at rpm	350/1500-4200	350/1750-2500	500/1500-3000
0-62mph acceleration, seconds	6.9	8.9	6.4
Top speed, mph	144	133	148
CO ₂ emissions ² , g/km	189	164	189
Benefit in kind (BIK)%	25%	23%	28%
Fuel consumption, mpg (l/100km) Urban	27.7 (10.2)	37.7 (7.5)	32.5 (8.7)
Fuel consumption, mpg (l/100km) Extra Urban	41.5 (6.8)	51.4 (5.5)	46.3 (6.1)
Fuel consumption, mpg (l/100km) Combined	34.9 (8.1)	45.2 (6.2)	39.8 (7.1)
ABI insurance group	15E	14E	16E
Unladen weight ³ , kg	1650	1630	1730
Gross weight limit, kg	2220	2200	2300
Roof load limit/nose weight, kg	90/80	90/80	90/80
Max trailer load unbraked ⁴ , kg	750	750	750
Max trailer load with 12% gradient ⁴ , kg	1700	1700	1900
Max trailer load with 8% gradient ⁴ , kg	1900	1900	2100
Luggage compartment capacity, rear seats upright, litres	490	490	490
Luggage compartment capacity, rear seats folded, litres	1430	1430	1430
Fuel tank capacity approx, litres	64	64	64

¹The given value was obtained in accordance with the specified measurement procedure (the respective current version of the Directive 80/1269/EEC).

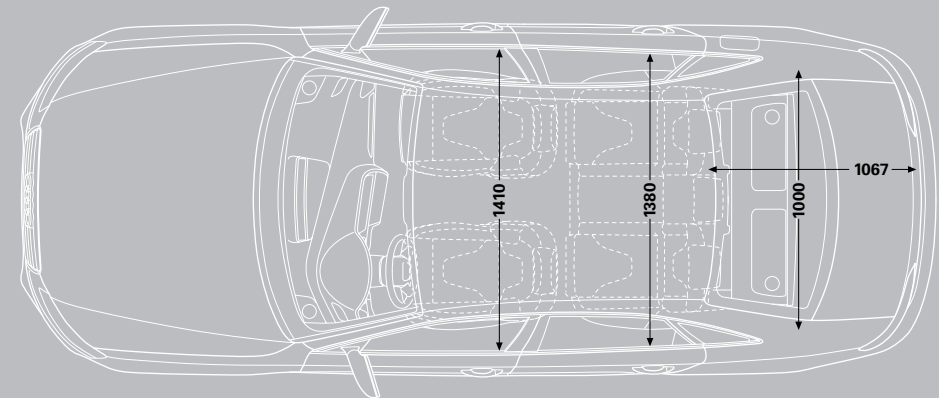
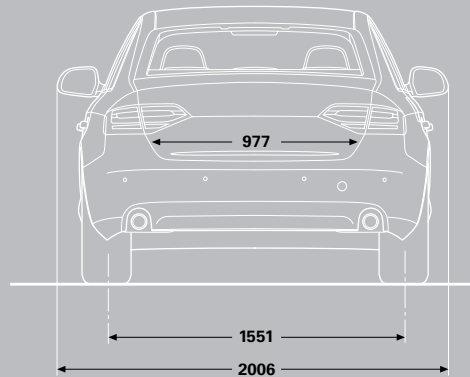
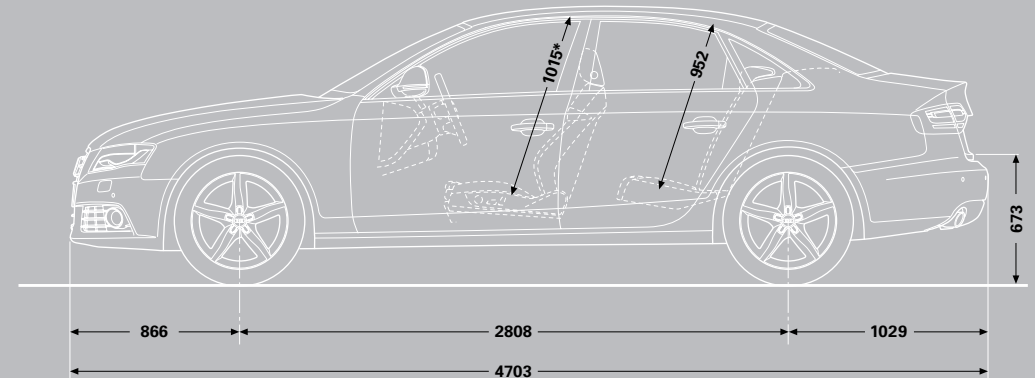
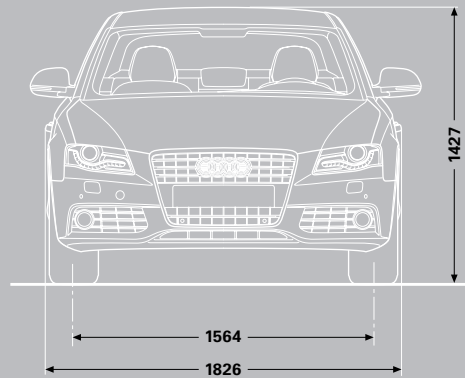
²The given values were calculated in accordance with the specified measurement procedure (the respective current version of Directive 80/1268/EEC). This information does not relate to a single vehicle and does not comprise part of the offer but is merely intended for the purpose of comparison between the different vehicle types.

³Vehicle's unladen weight without driver (calculated in accordance with the current version of Directive 80/1268/EEC). The fitting of additional equipment may increase the vehicle's unladen weight and drag coefficient, whereupon the potential carrying capacity and top speed will be correspondingly reduced.

⁴The engine's power output always goes down with increasing altitude. At 1,000m above sea level, and for every additional 1,000m, deduct 10% from the weight of the outfit (trailer load limit + gross weight of the towing vehicle).

A4 Saloon dimensions

The technical drawings opposite show the exact dimensions of the A4 Saloon, so you can check everything – from whether the car will fit in your garage to whether your luggage will fit in the boot.



*Maximum headroom

Dimensions were measured with vehicle at unladen weight, ground clearance measured with vehicle carrying its maximum load.

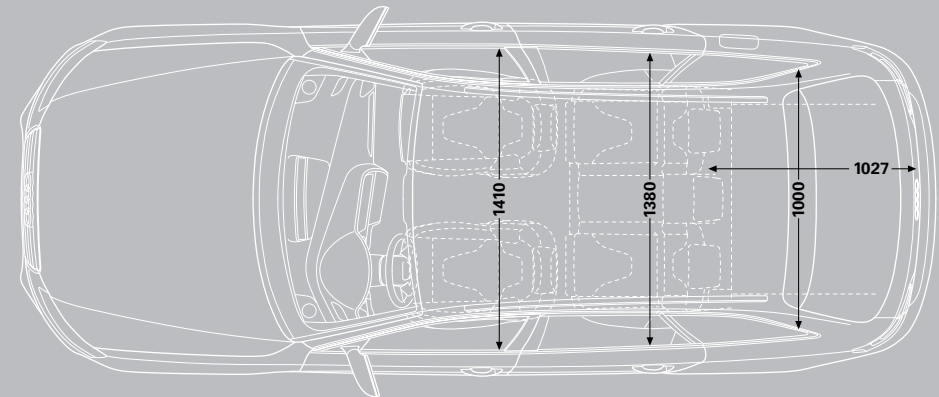
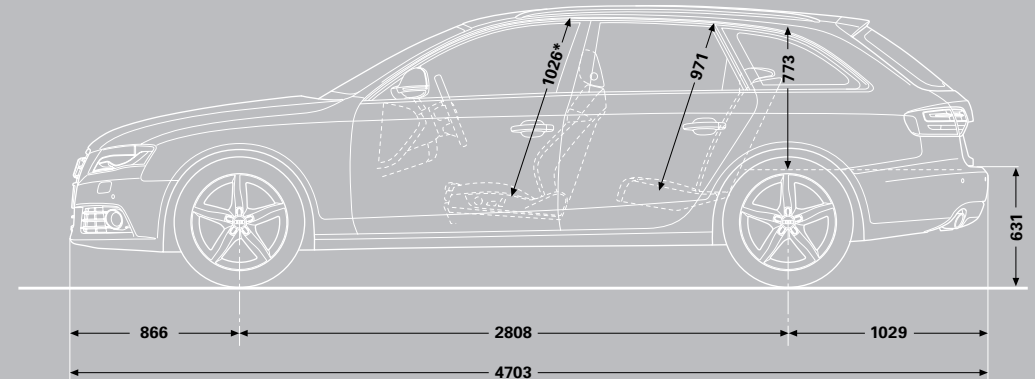
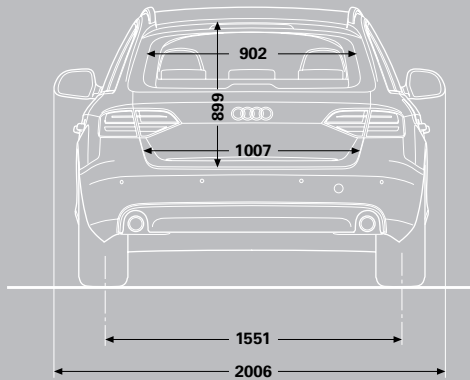
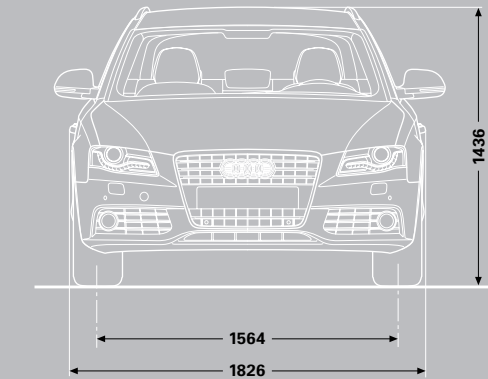
Luggage compartment volume in litres: 480/962 (measured by the VDA standard test method using 200 x 100 x 50mm blocks; second value: with rear seat folded down).

Turning circle approx 11.4m.

Dimensions in millimetres.

A4 Avant dimensions

The technical drawings opposite show the exact dimensions of the A4 Avant, so you can check everything – from whether the car will fit in your garage to whether your luggage will fit in the boot.



*Maximum headroom

Dimensions were measured with vehicle at unladen weight, ground clearance measured with vehicle carrying its maximum load.

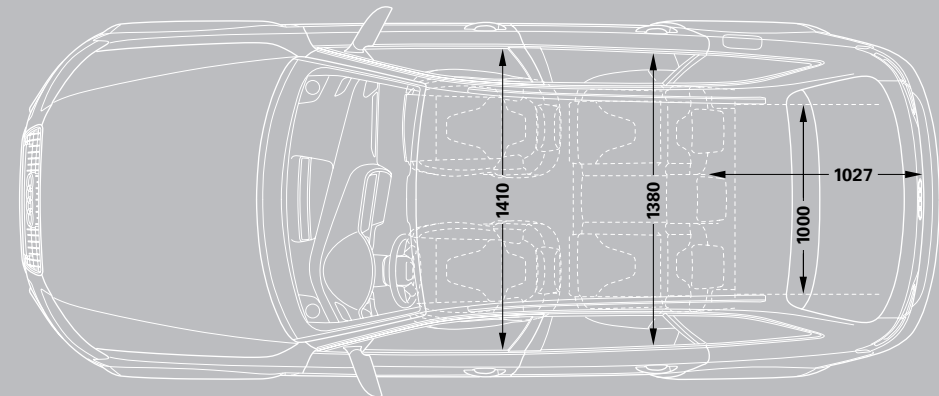
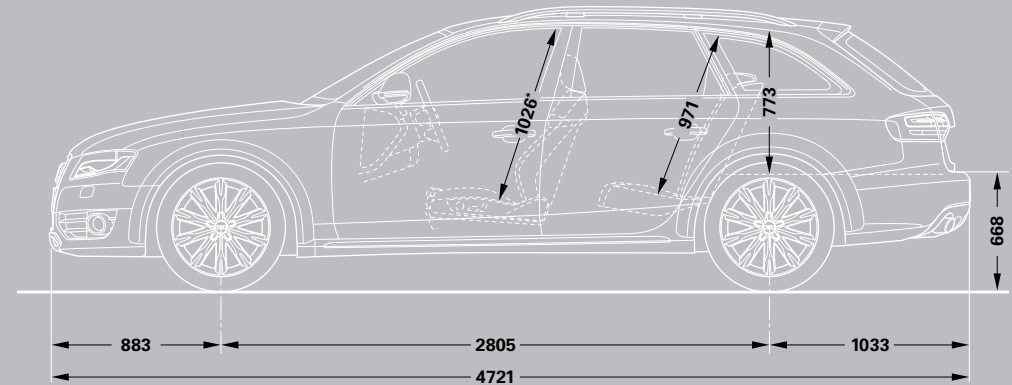
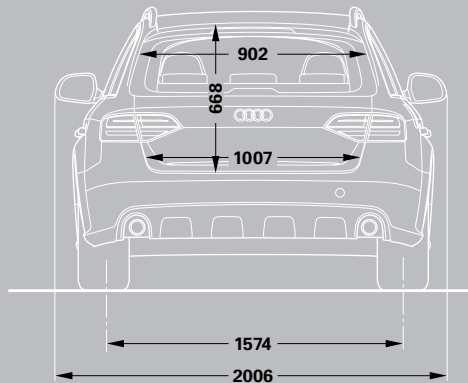
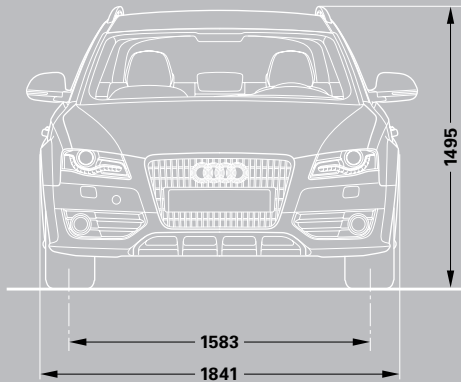
Luggage compartment volume in litres: 490/1430 (measured by the VDA standard test method using 200 x 100 x 50mm blocks; second value: with rear seat folded down).

Turning circle approx 11.4m.

Dimensions in millimetres.

A4 allroad dimensions

The technical drawings opposite show the exact dimensions of the A4 allroad, so you can check everything – from whether the car will fit in your garage to whether your luggage will fit in the boot.



*Maximum headroom

Dimensions were measured with vehicle at unladen weight, ground clearance measured with vehicle carrying its maximum load.

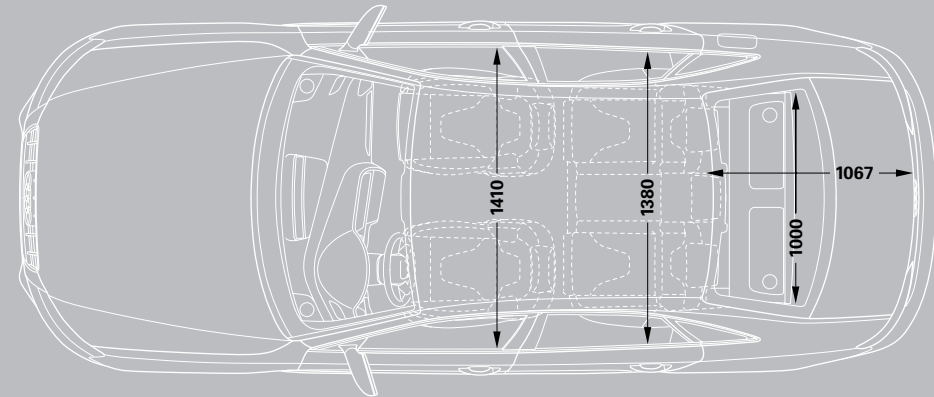
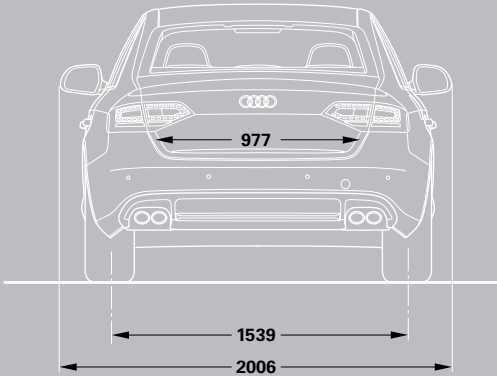
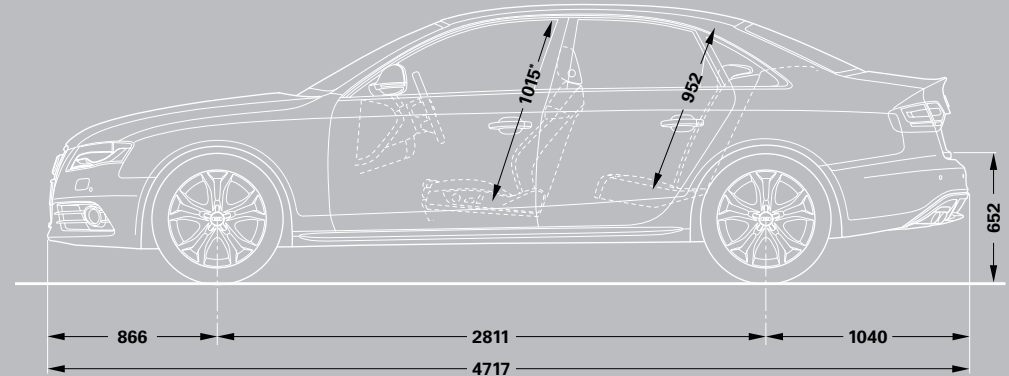
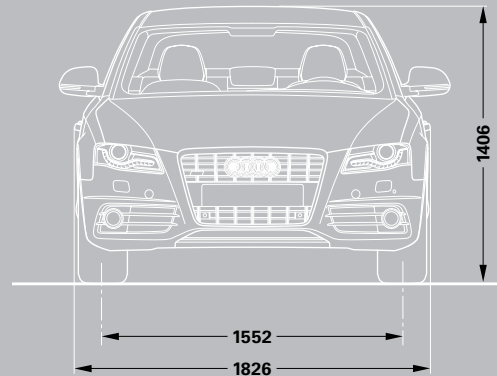
Luggage compartment volume in litres: 490/1430 (measured by the VDA standard test method using 200 x 100 x 50mm blocks; second value: with rear seat folded down).

Turning circle approx 11.4m.

Dimensions in millimetres.

S4 quattro Saloon dimensions

The technical drawings opposite show the exact dimensions of the S4 Saloon, so you can check everything – from whether the car will fit in your garage to whether your luggage will fit in the boot.



*Maximum headroom

Dimensions were measured with vehicle at unladen weight, ground clearance measured with vehicle carrying its maximum load.

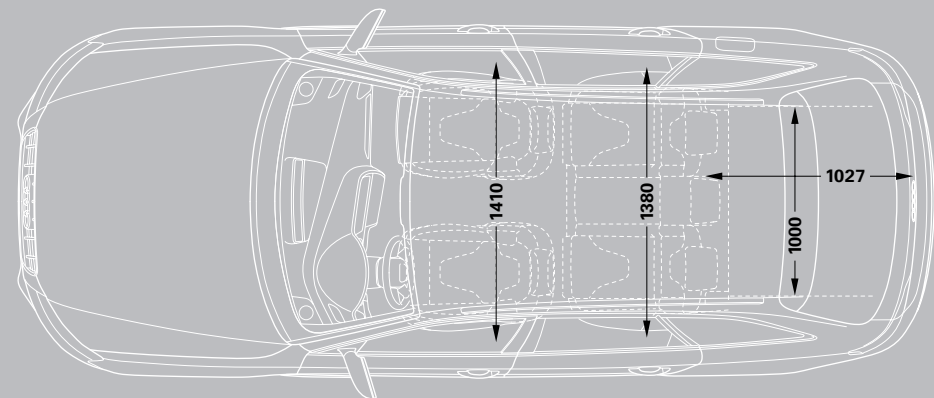
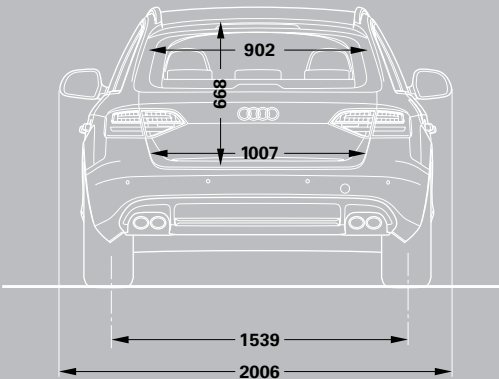
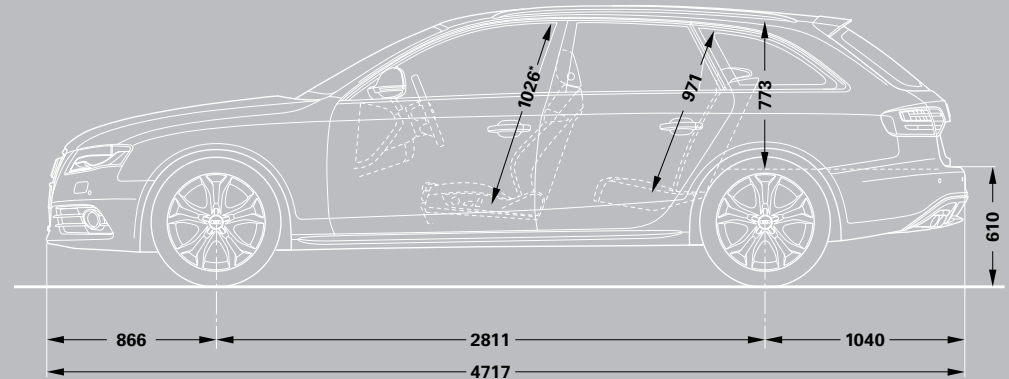
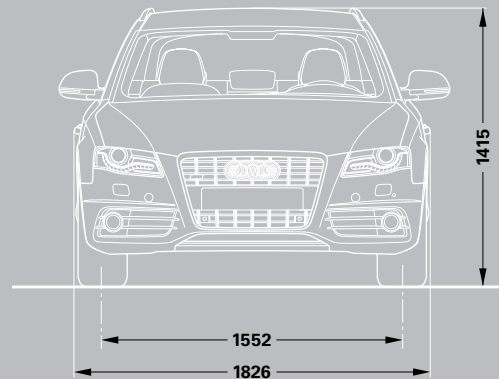
Luggage compartment volume in litres: 480/962 (measured by the VDA standard test method using 200 x 100 x 50mm blocks; second value: with rear seat folded down).

Turning circle approx 11.4m.

Dimensions in millimetres..

S4 quattro Avant dimensions

The technical drawings opposite show the exact dimensions of the S4 Avant, so you can check everything – from whether the car will fit in your garage to whether your luggage will fit in the boot.



*Maximum headroom

Dimensions were measured with vehicle at unladen weight, ground clearance measured with vehicle carrying its maximum load.

Luggage compartment volume in litres: 490/1430 (measured by the VDA standard test method using 200 x 100 x 50mm blocks; second value: with rear seat folded down).

Turning circle approx 11.4m.

Dimensions in millimetres.



Additional information

CO₂ data and information

CO₂ emissions-based Vehicle Excise Duty

Vehicle Excise Duty (Road Fund Licence) is based upon the amount of Carbon Dioxide (CO₂) a vehicle emits, measured in grams per kilometre (g/km). The DVLA has created thirteen categories:

Petrol and Diesel engines

A - up to 100g/km	£0.00
B - 101 to 110g/km	£35.00
C - 111 to 120g/km	£35.00
D - 121 to 130g/km	£120.00
E - 131 to 140g/km	£120.00
F - 141 to 150g/km	£125.00
G - 151 to 165g/km	£150.00
H - 166 to 175g/km	£175.00
I - 176 to 185g/km	£175.00
J - 186 to 200g/km	£215.00
K* - 201 to 225g/km	£215.00
L - 226 to 255g/km	£405.00
M - over 255g/km	£405.00

*Band K includes cars that have a CO₂ figure over 225g/km but were registered before 23 March 2006.

Vehicle Excise Duty (VED) Rates correct at time of going to print, but these may alter to reflect any change in the applicable VED rate.

Servicing tailored to your needs

Regular servicing is key to safeguarding your Audi's performance and a full Audi service history could help you preserve the future re-sale value. To make servicing easy, the Audi Service Schedules have been designed to work with your individual driving style and vehicle.

There are two schedules available and your Audi Centre will advise which schedule is most suited to your needs. The conventional fixed Audi Inspection Service Schedule has fixed intervals for the Oil-change and Inspection Service that are based on time

and distance, whichever comes first. With the Audi LongLife Service Schedule, sensors take account of driving style and conditions in which the vehicle is used to indicate when the Oil-change Service is required. Oil-change Service intervals are therefore variable and are conveniently indicated via the on-board service interval display.

Fixed Inspection Service Schedule		Variable LongLife Service Schedule	
	Vehicle usage:		Vehicle usage:
Mileage	Less than 10,000 miles per annum	Mileage	More than 10,000 miles per annum
Type of journey	Mainly city/town centre driving. Short journeys	Type of journey	Motorway and main road driving. Mainly longer distance journeys. Constant speeds
Conditions	Frequent cold starts. High engine loading – e.g. frequent hill climbs, vehicle fully loaded, towing	Conditions	Normal engine loading – e.g. with little or no towing, with little or no hill climbs. Normal vehicle loading
Driving style	Uneconomical – e.g. heavy acceleration, heavy braking, constant changes in speed, constant use of high revs, 'sporty' driving	Driving style	Moderate acceleration, moderate braking, engine revs mainly below 3,000
	Service Intervals:		Service Intervals:
Oil-change Service	Fixed to every 9,000* miles/1 year	Oil-change Service	Variable to a maximum of every 19,000* miles/2 years
Inspection Service	Fixed to every 19,000* miles/2 years	Inspection Service	Fixed to every 19,000* miles/2 years

*As indicated by the service interval display. Mileages are approximate as the Service Indicator system uses kilometres as its distance measurement.

Additional information

Welcome to Audi

By placing an order for your Audi, you're choosing to get behind the wheel of one of the most sophisticated cars on the road. And because we believe the service we offer should be just as advanced, we wanted to let you know exactly what you can expect from us, now and in the future.

We've agreed a set of standards with all our Centres, which governs the way we do business with you. It outlines the kind of service we promise to deliver for every customer, right down to filling each new Audi we sell with half a tank of fuel.

So whether you're interested in the date your car will arrive in the UK or the way we'll dispose of non-biodegradable materials after we service your Audi, you can have total confidence in us.

Audi Promise

Audi Centres

We guarantee that all of our Centres will be open as follows;

Sales: Monday to Friday 9am–6pm
Saturday 9am–5pm

Service: Monday to Friday 8am–6pm
Saturday 8.30am–1pm

Sunday opening is at local discretion.

New car delivery

Once we've confirmed a delivery date for your car, we'll keep you informed of progress. Subject to reasonable notice, we'll then deliver it to a place of your choice, whether that's your home or place of work. In the unlikely event of a delay, we'll provide a courtesy car to minimise inconvenience and keep you mobile.

The experts in Vorsprung durch Technik

Would you entrust your Audi to anyone who hasn't been regularly trained to Audi standards? Our network of Audi Approved Master Technicians have undergone an impressive 100,000 hours of training over a 10 year programme to ensure they have the latest technical expertise for maintaining and servicing your Audi. All of our Service Advisors undergo a specialist induction and training to ensure they are Audi professionals and able to talk to you about any issues you may have with your Audi vehicle. What's more, we have so much expertise and experience in looking after Audi vehicles that we are able to make a note of your mileage and the state of your vehicle as and when we see it and predict when certain key events may occur. As part of our duty of care, we will notify you in plenty of time so you can make an appointment with us.

Your convenience comes first

At Audi you can choose from a range of convenient services that suit your needs. Why not book a 'service while you wait' appointment* and enjoy our complimentary refreshments while your car is with us? Or, if you need to be mobile, take advantage of one of our courtesy cars which we can even collect and deliver to you*. We guarantee we can service your Audi within 5 days without a courtesy car, or within 10 days if you need transport. We will also ensure your car is returned to you with a full valet.

Audi Genuine Parts

Would you put a part into your Audi that wasn't the same quality as the factory fitted original? You can rest assured that only Audi Genuine Parts will be used on your vehicle. What's more, Audi parts and labour come with a 2 year guarantee.** We stock a wide variety of parts, so we are well covered. However, if we don't have a part in stock at our Centre we have the back-up of parts at other Audi Centres, at our national warehouse and our factory and can usually source the relevant part very quickly.

We don't like surprises either

We believe strongly in transparency and there will be no hidden costs. For added peace of mind, we will give you a quotation over the phone for the work you have requested and email you the price confirmation. We'll consult you if any additional work on your car is needed when it is with us. We won't carry out any extra work without asking your permission first.

The Audi Stamp

Regular servicing is key to safeguarding your Audi's performance and a full Audi service history could help you preserve the future re-sale value of your car. Only the Audi Stamp will prove your approved Audi service history.

Getting better every time

We continually gather feedback from our Audi Trained Technicians, as well as our customers, to ensure our vehicles are running as they should. Whenever we see an Audi for a service, we connect it directly to our headquarters in Ingolstadt which enables us to check your car's software and make sure it's as up-to-date as possible. If the factory has released a software upgrade for your model, it can be applied immediately – improving anything from your car's efficiency to the precision of its parking system.

Environmental commitment

We promise to dispose of all non-biodegradable materials from your vehicle in a responsible manner

*Subject to availability.

**Excludes wear and tear.

Pricing information

Pricing

Prices and specifications given are correct at the time of printing. Always check details with your Audi Centre, as Audi policies are continually developing. We reserve the right to change prices or specifications at any time.

All prices are subject to VAT, currently charged at 17.5% but this may alter to reflect any change in the applicable VAT rate.

Delivery charges and number plates are not included in the vehicle price.

Delivery charge	£473.62
Number plate	£20.00
VAT	£86.38
Total	£580.00

Audi Roadside Assistance

Your new car comes complete with 3 years' complimentary roadside assistance and recovery across the UK provided by RAC Motoring Services. Also included is roadside assistance throughout Europe, managed by RAC Motoring Services.

For further information and terms and conditions, please visit audi.co.uk

Audi Customer Care

Every new Audi benefits from the comprehensive Audi Customer Care Package, which comprises:

- ▶ A 3-year Audi warranty, which covers you for unlimited mileage in the first 2 years of ownership, with a full mechanical and electrical warranty which covers you for up to 60,000 miles in the 3rd year

- ▶ A 3-year paint warranty
- ▶ A 12-year anti-corrosion warranty
- ▶ 3 years' UK roadside assistance and recovery

You also have the option when ordering your new car of choosing a 4-year or 5-year Audi warranty. Speak to a member of the sales team for more information.

Audi Tax-Free Sales

If you are entitled to purchase a vehicle free of VAT, normally through Military or Diplomatic privilege, please contact your local Audi Centre for full details.

Should you have any difficulty obtaining the information you require, please call Freephone 0800 585878.

Audi Finance

Audi Finance specialise in providing funding solutions for Audi drivers. Whether your Audi is for private or business use, there are a range of funding options to choose from

Below is the full range of finance products.

- ▶ Solutions – a Personal Contract Plan
- ▶ Hire purchase
- ▶ Lease purchase
- ▶ Finance lease
- ▶ Contract hire

With all products, you can choose a fixed-cost maintenance plan designed to help you budget accurately.

No matter what Audi model you choose, your local Audi Centre can provide you with a personalised quote which could fit your budget and motoring needs.

Audi Finance is a trading name of Volkswagen Financial Services (UK) Limited. An offer of finance depends on certain conditions. Available to people over 18 in the UK only.

Audi Insurance

We want you to start enjoying your new car from day one and thanks to Audi Insurance complimentary seven day cover, you can. Call free on 0800 316 7893 (lines are open Monday to Friday 8am - 9pm, and Saturday 9am - 5pm), provide a few details and a cover note will be sent to your Audi Centre. They will then tax your car and you can drive it away.

Audi Insurance is a trading name of Volkswagen Insurance Service (Great Britain) Limited, an appointed representative of Volkswagen Financial Services (UK) Limited, Brunswick Court, Yeomans Drive, Blakelands, Milton Keynes MK14 5LR. Registered in England number 2835230. Audi Insurance is sold, underwritten and administered by Allianz Insurance plc registered in England number 84638. Registered office 57 Ladymead, Guildford, Surrey GU1 1DB. Volkswagen Financial Services (UK) Limited and Allianz Insurance plc are authorised and regulated by the Financial Services Authority. Volkswagen Financial Services (UK) Limited and Allianz Insurance plc are not part of the same corporate group.

Audi UK
Customer Services
Selectapost 29
Sheffield
S97 3FG
0800 699888
audi.co.uk

Specifications and prices subject
to change without notice.

© Audi UK

Printed in the UK
Edition 3.0 02/10
2010 model year



FSC

Mixed Sources

Product group from well-managed
forests and other controlled sources

Cert no. TT-COC-002327

www.fsc.org

© 1996 Forest Stewardship Council